

AP 300 I

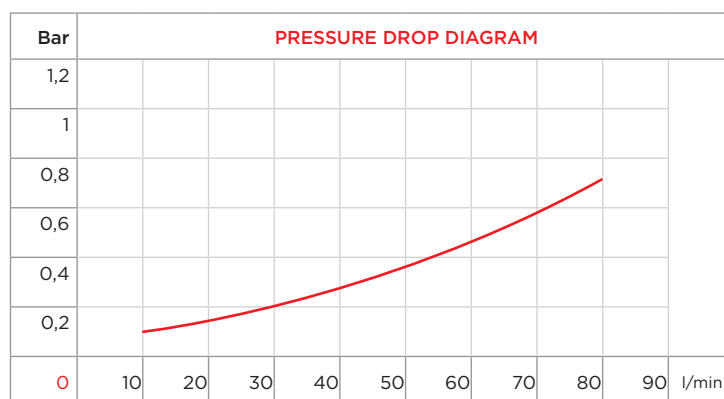
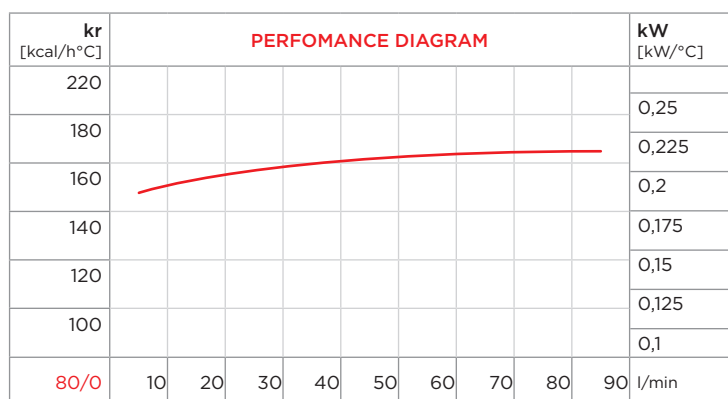


PURCHASE CODES

| | |
|-------------------------------|------------|
| AP 300 I With hydraulic motor | 3RAP300IA |
| AP 300 I Prepared | 3RAP300I4A |

SPARE PARTS

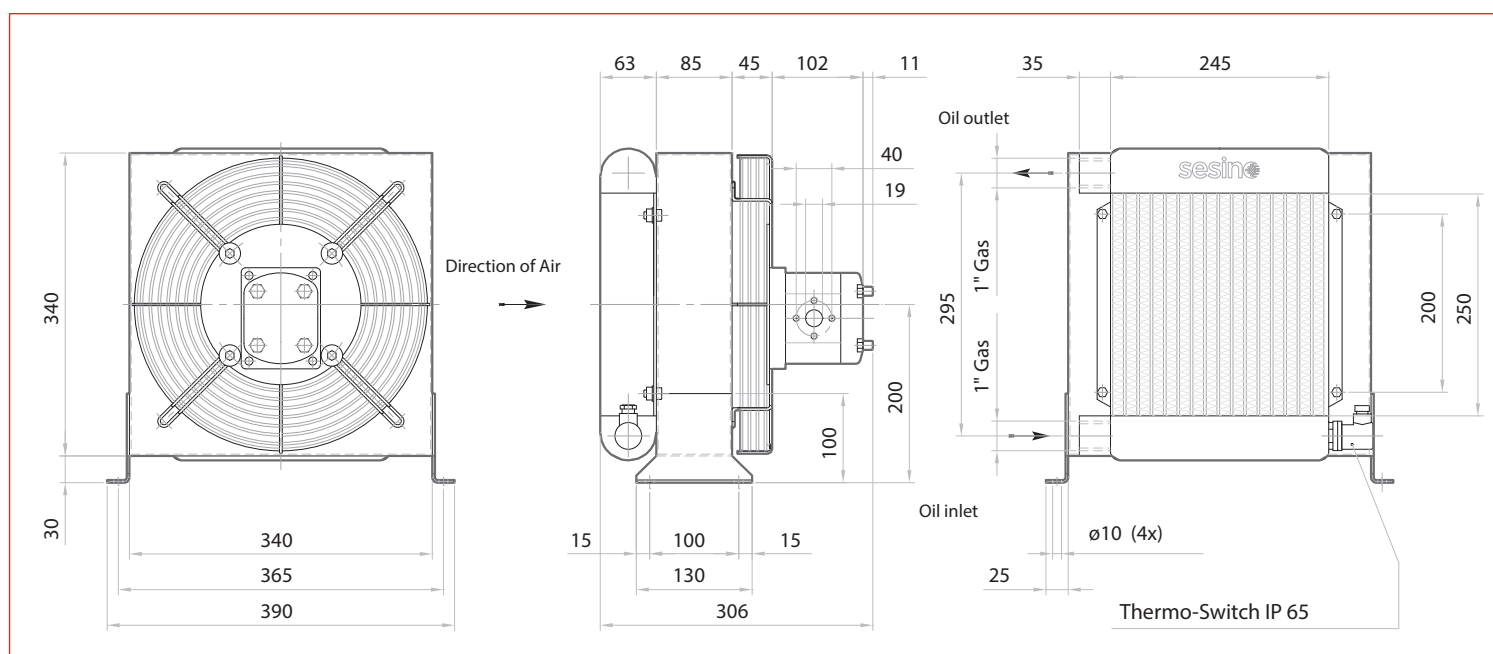
| | |
|---------------------------|-------------|
| Cooling element | 3RNL300 |
| Housing | 1300TLV |
| Frame | 3CNAP300I.1 |
| Fan | 1G300I |
| Fan Grill | 1RTAP300I |
| Hydraulic motor | 1MO2/M16 |
| Thermo-switch 60-49 IP 65 | 1TRM60-49 |
| Thermo-switch 47-36 IP 65 | 1TRM47-36 |



CORRECTION FACTOR

| | | | | | | | |
|-----|-----|----|-----|-----|-----|-----|-----|
| cSt | 22 | 30 | 46 | 68 | 100 | 150 | 220 |
| f | 0,6 | 1 | 1,5 | 2,3 | 3,5 | 5 | 7 |

- Dimensions and technical characteristics are not binding



| OIL FLOW | FAN SPEED | POWER | DISPLACEMENT | MOTOR FLOW | AIR FLOW | NOISE LEVEL | WEIGHT | CAPACITY | ϕ FAN |
|----------|-----------|-------|--------------|------------|-------------------|-------------|--------|----------|------------|
| l/min | rpm | W | cc/r | l/min | m ³ /h | dB(A) | kg | lt. | mm |
| 10-80 | 2300 | 200 | 11,3 | 26 | 2.000 | 68 | 14 | 2 | 255 |

AP 300/2 I

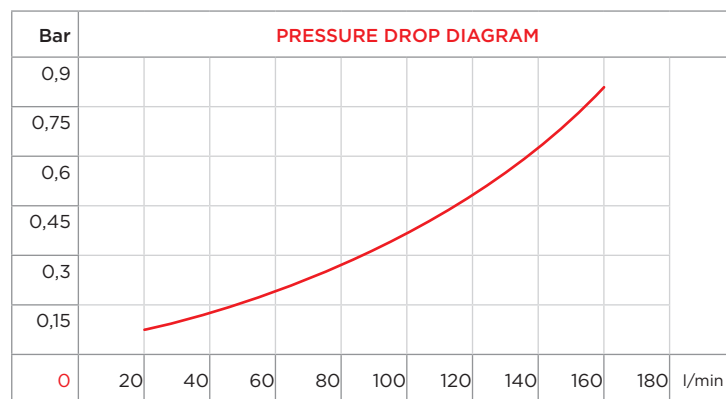
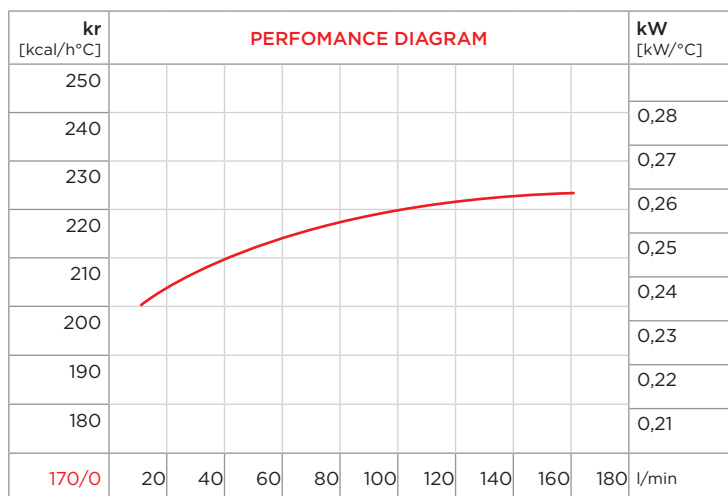


PURCHASE CODES

| | |
|---------------------------------|------------|
| AP 300/2 I With hydraulic motor | 3RAP302IA |
| AP 300/2 I Prepared | 3RAP302I4A |

SPARE PARTS

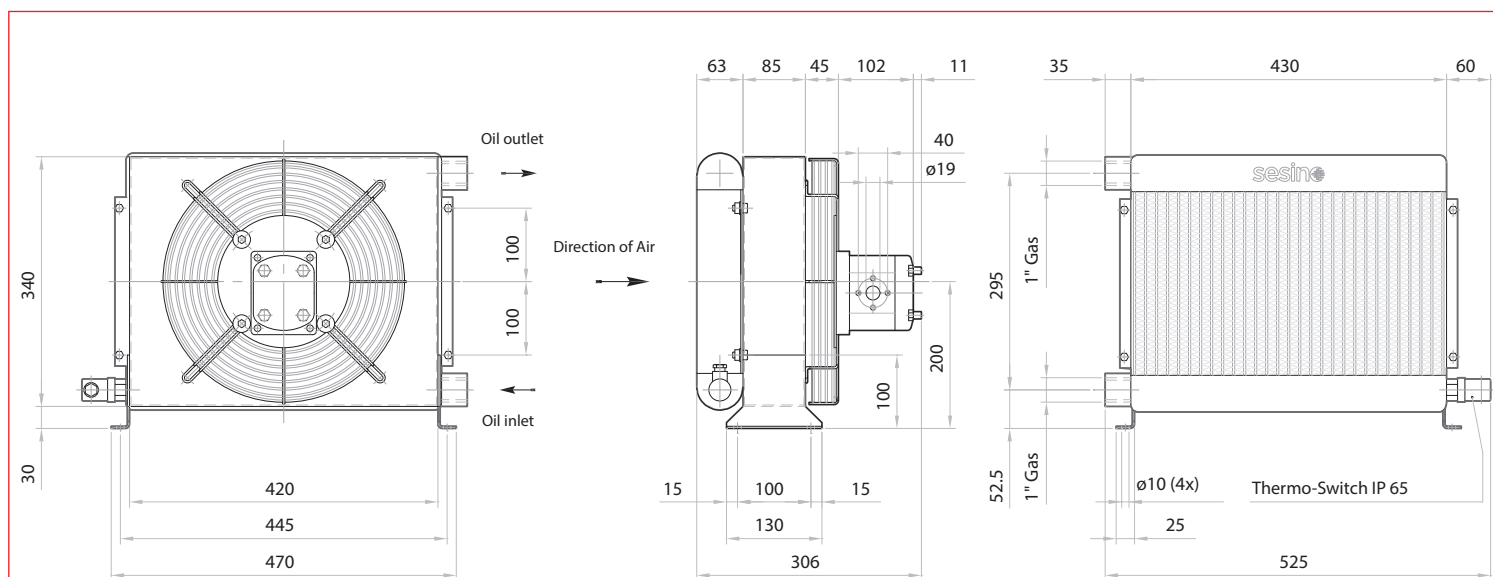
| | |
|---------------------------|-------------|
| Cooling element | 3RNL302 |
| Housing | 1302TLV |
| Frame | 3CNAP302I.1 |
| Fan | 1G300I |
| Fan Grill | 1RTAP300I |
| Hydraulic motor | 1MO2/M16 |
| Thermo-switch 60-49 IP 65 | 1TRM60-49 |
| Thermo-switch 47-36 IP 65 | 1TRM47-36 |



CORRECTION FACTOR

| cSt | 22 | 30 | 46 | 68 | 100 | 150 | 220 |
|-----|-----|----|-----|-----|-----|-----|-----|
| f | 0,6 | 1 | 1,5 | 2,3 | 3,5 | 5 | 7 |

- Dimensions and technical characteristics are not binding



| OIL FLOW | FAN SPEED | POWER | DISPLACEMENT | MOTOR FLOW | AIR FLOW | NOISE LEVEL | WEIGHT | CAPACITY | ø FAN |
|----------|-----------|-------|--------------|------------|-------------------|-------------|--------|----------|-------|
| l/min | rpm | W | cc/r | l/min | m ³ /h | dB(A) | kg | lt. | mm |
| 20-50 | 2300 | 200 | 11,3 | 26 | 2.500 | 70 | 19 | 3,6 | 255 |

AP 430 I

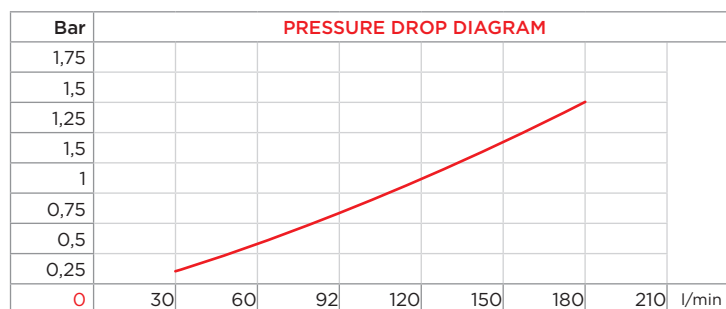
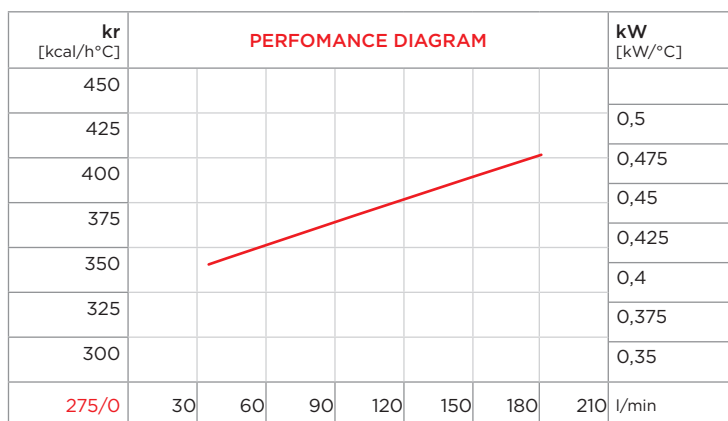


PURCHASE CODES

| | |
|-------------------------------|------------|
| AP 430 I with hydraulic motor | 3RAP43011A |
| AP 430 I prepared | 3RAP43014A |

SPARE PARTS

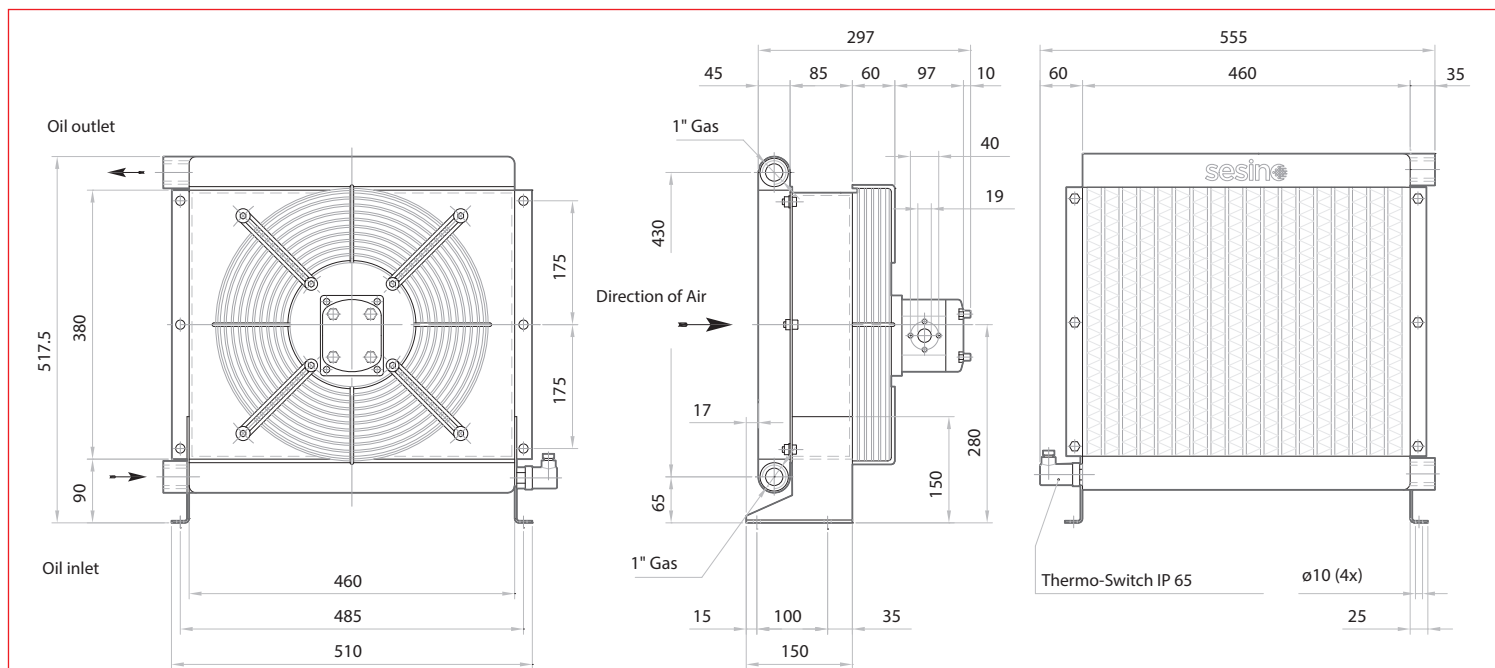
| | |
|----------------------------------|-----------|
| Cooling element | 3RNL430 |
| Frame | 3CN4301.1 |
| Shock isolating mounting (4 pcs) | 3KIT4511 |
| Fan | 1G430I |
| Fan grill | 1RTAP430I |
| Hydraulic motor | 1MO2/M16 |
| Thermo-switch 60-49 IP 65 | 1TRM60-49 |
| Thermo-switch 47-36 IP 65 | 1TRM47-36 |



CORRECTION FACTOR

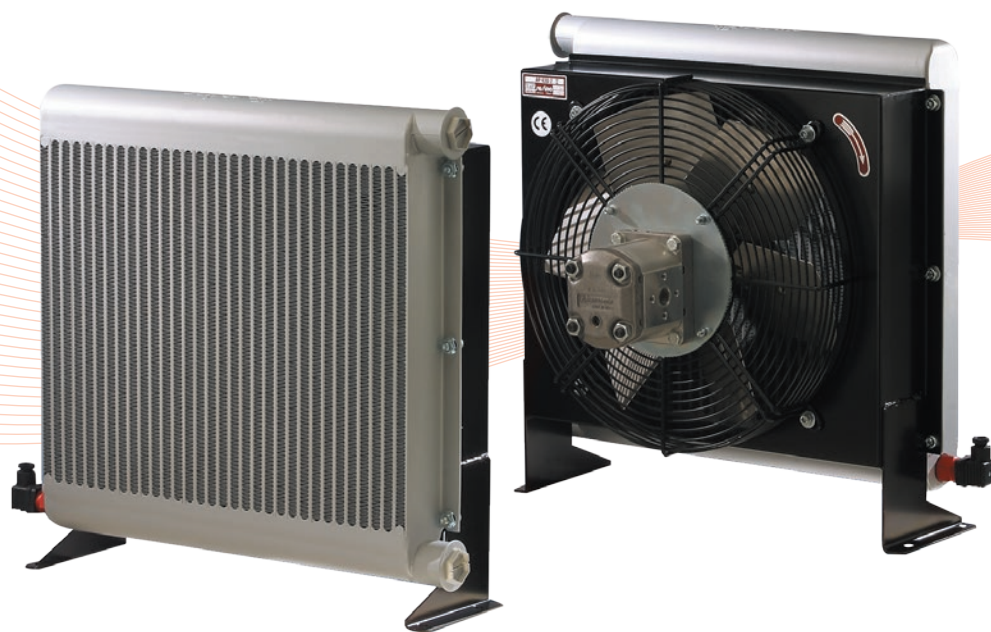
| cSt | 22 | 30 | 46 | 68 | 100 | 150 | 220 |
|-----|-----|----|-----|-----|-----|-----|-----|
| f | 0,6 | 1 | 1,5 | 2,3 | 3,5 | 5 | 7 |

- Dimensions and technical characteristics are not binding



| OIL FLOW | FAN SPEED | POWER | DISPLACEMENT | MOTOR FLOW | AIR FLOW | NOISE LEVEL | WEIGHT | CAPACITY | Ø FAN |
|----------|-----------|-------|--------------|------------|-------------------|-------------|--------|----------|-------|
| l/min | rpm | W | cc/r | l/min | m ³ /h | dB(A) | kg | lt. | mm |
| 50-150 | 2.700 | 770 | 11,3 | 31 | 7.000 | 73 | 21 | 3,6 | 355 |

AP 430/2 I

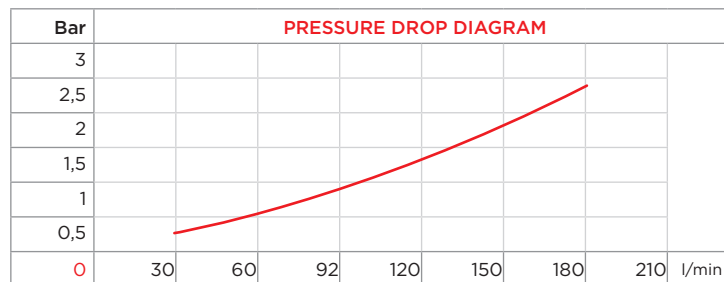
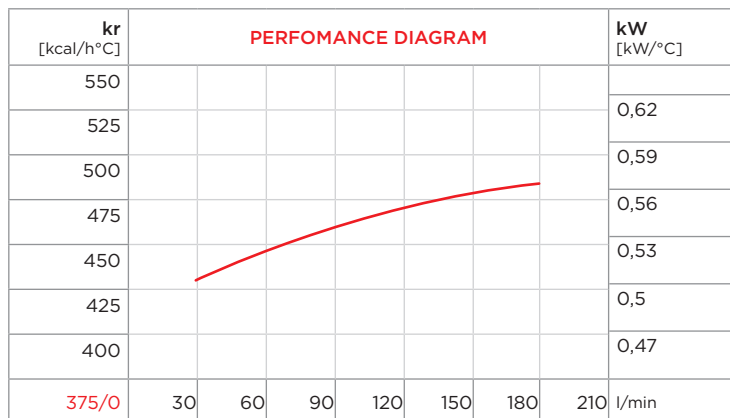


PURCHASE CODES

| | |
|---------------------------------|------------|
| AP 430/2 I with hydraulic motor | 3RAP43211A |
| AP 430/2 I prepared | 3RAP43214A |

SPARE PARTS

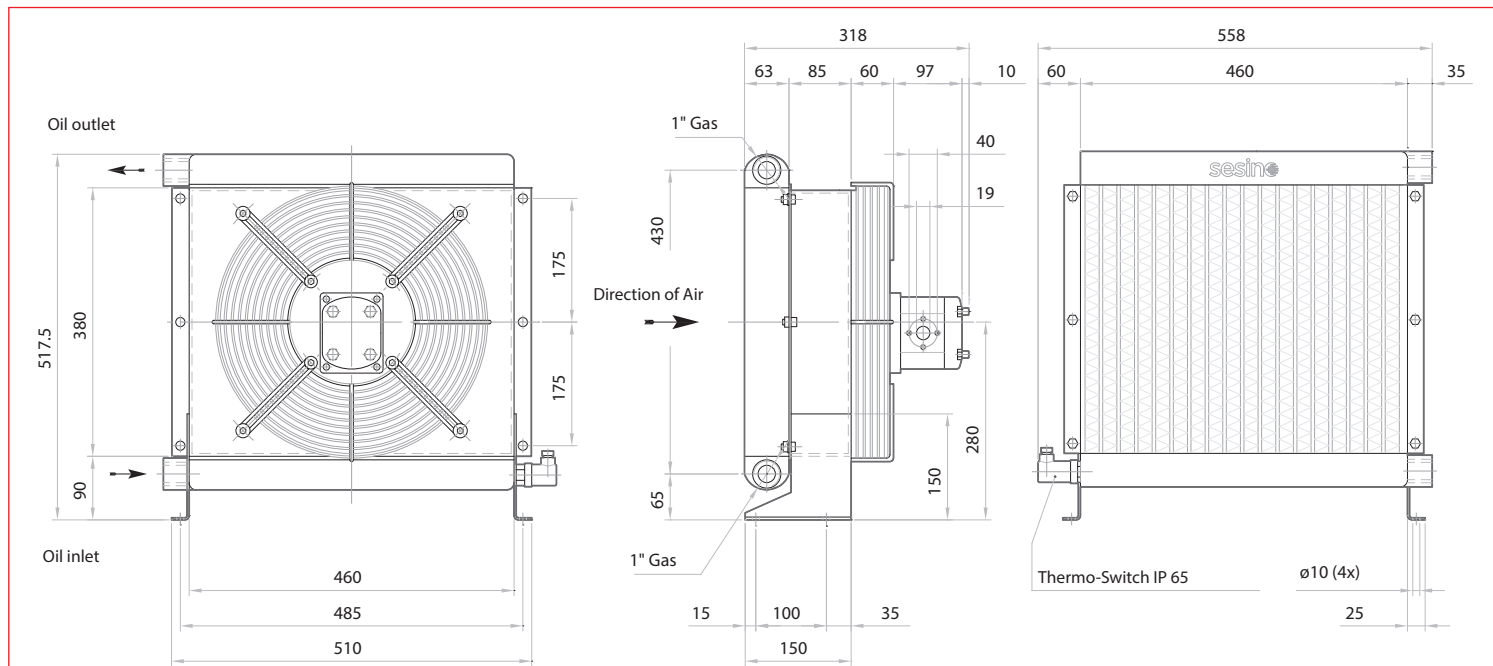
| | |
|----------------------------------|------------|
| Cooling element | 3RNAP432TP |
| Frame | 3CN4301.1 |
| Shock isolating mounting (4 pcs) | 3KIT4511 |
| Fan | 1G430I |
| Fan grill | 1RTAP430I |
| Hydraulic motor | 1MO2/M16 |
| Thermo-switch 60-49 IP 65 | 1TRM60-49 |
| Thermo-switch 47-36 IP 65 | 1TRM47-36 |



CORRECTION FACTOR

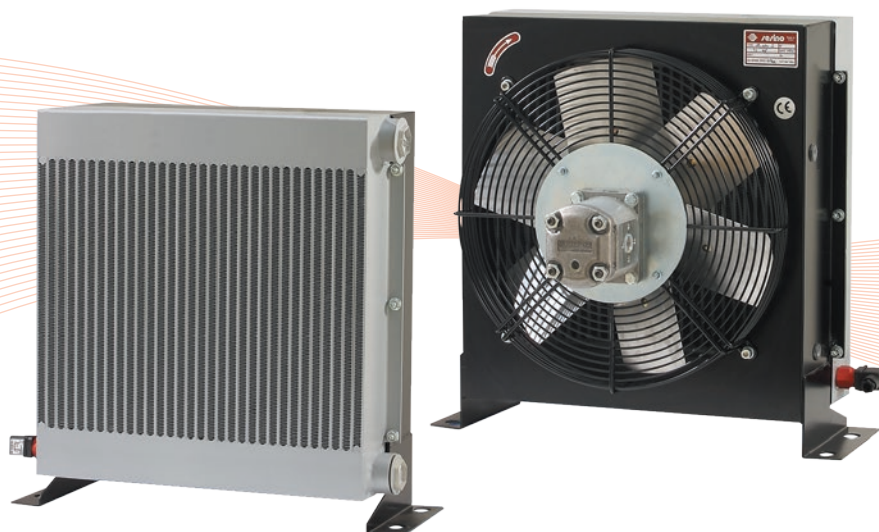
| cSt | 22 | 30 | 46 | 68 | 100 | 150 | 220 |
|-----|-----|----|-----|-----|-----|-----|-----|
| f | 0,6 | 1 | 1,5 | 2,3 | 3,5 | 5 | 7 |

- Dimensions and technical characteristics are not binding



| OIL FLOW | FAN SPEED | POWER | DISPLACEMENT | MOTOR FLOW | AIR FLOW | NOISE LEVEL | WEIGHT | CAPACITY | Ø FAN |
|----------|-----------|-------|--------------|------------|----------|-------------|--------|----------|-------|
| l/min | rpm | W | cc/r | l/min | m³/h | dB(A) | kg | lt. | mm |
| 30-180 | 2.700 | 830 | 11,3 | 31 | 7.000 | 74 | 23 | 5,5 | 400 |

AP 494 I

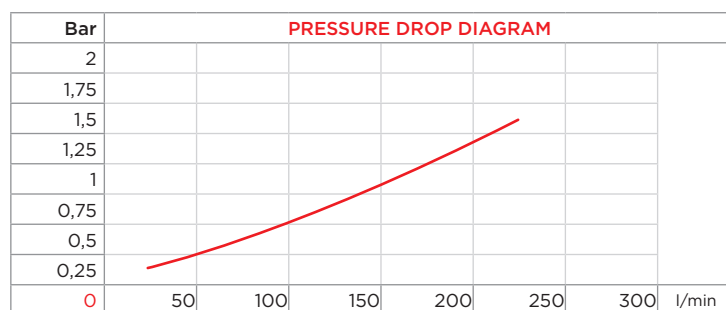
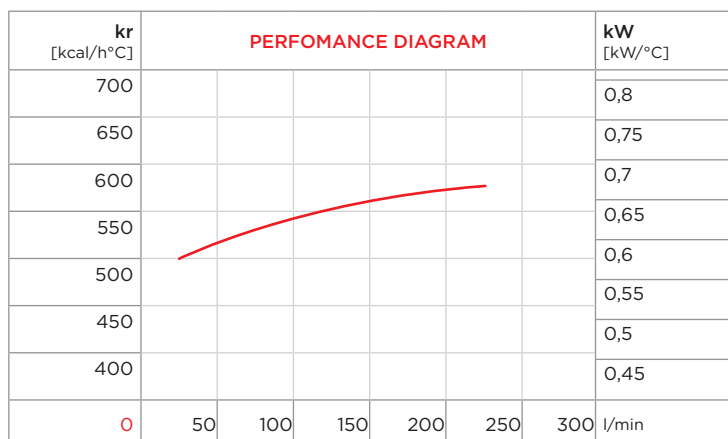


PURCHASE CODES

| | |
|-------------------------------|-------------------|
| AP 494 I with hydraulic motor | 3RAP49411A |
| AP 494 I prepared | 3RAP49414A |

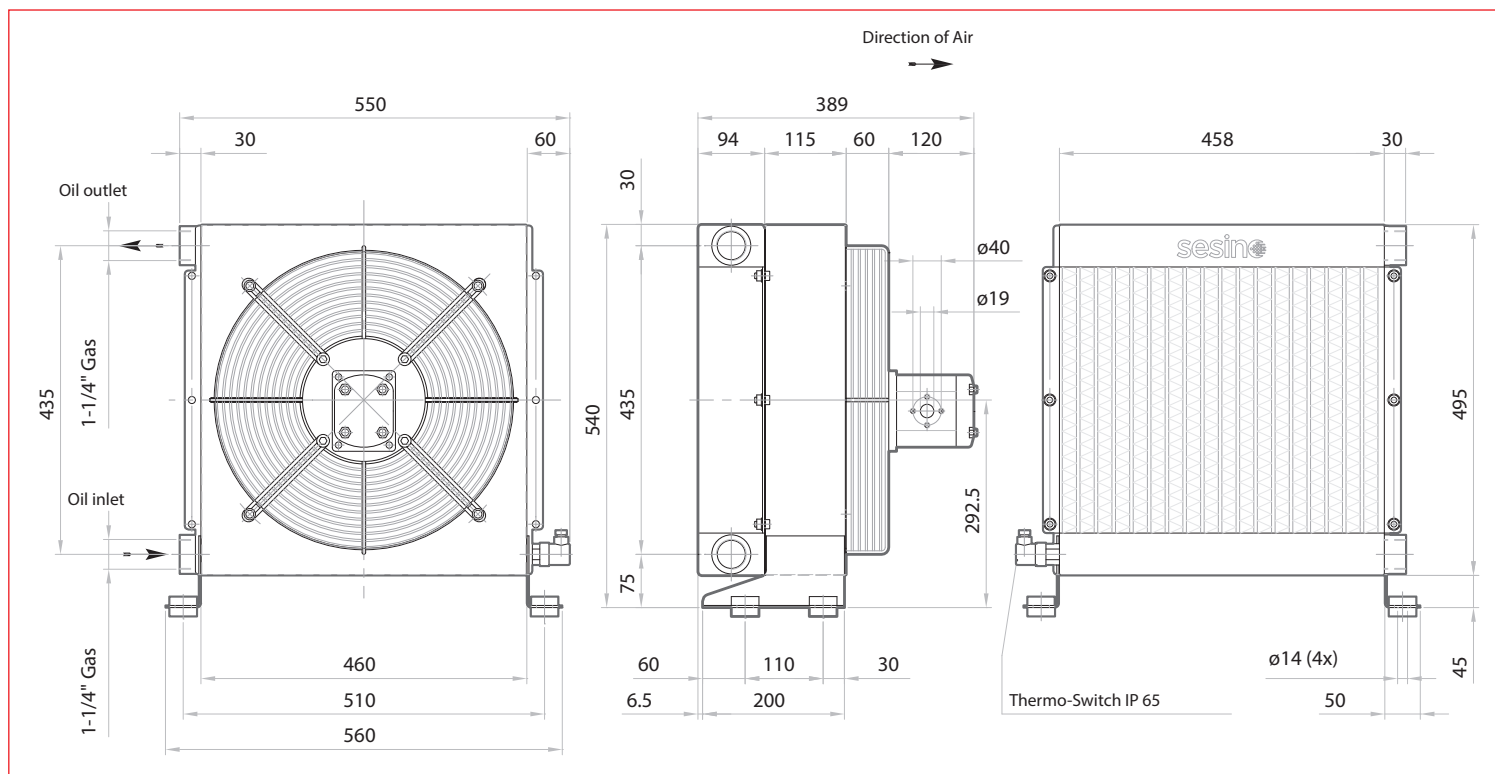
SPARE PARTS

| | |
|----------------------------------|-------------|
| Frame | 3CNAP4941.1 |
| Shock isolating mounting (4 pcs) | 3KIT4135 |
| Electric junction box for | 1CSSDSAREL |
| Fan | 1G580I |
| Cooling element | 1RO99332 |
| Hydraulic motor | 1MO2/M16 |
| Thermo-switch 60-49 IP 65 | 1TRM60-49 |
| Thermo-switch 47-36 IP 65 | 1TRM47-36 |
| Fan Grill | 1RTAP580I |



| CORRECTION FACTOR | | | | | | | |
|-------------------|-----|----|-----|-----|-----|-----|-----|
| cSt | 22 | 30 | 46 | 68 | 100 | 150 | 220 |
| f | 0,6 | 1 | 1,5 | 2,3 | 3,5 | 5 | 7 |

- Dimensions and technical characteristics are not binding



| OIL FLOW | FAN SPEED | POWER | DISPLACEMENT | MOTOR FLOW | AIR FLOW | NOISE LEVEL | WEIGHT | CAPACITY | Ø FAN |
|----------|-----------|-------|--------------|------------|----------|-------------|--------|----------|-------|
| l/min | rpm | W | cc/r | l/min | m³/h | dB(A) | kg | lt. | mm |
| 30-240 | 2.400 | 1100 | 11,3 | 27 | 8.000 | 75 | 26 | 8 | 400 |

AP 580 I

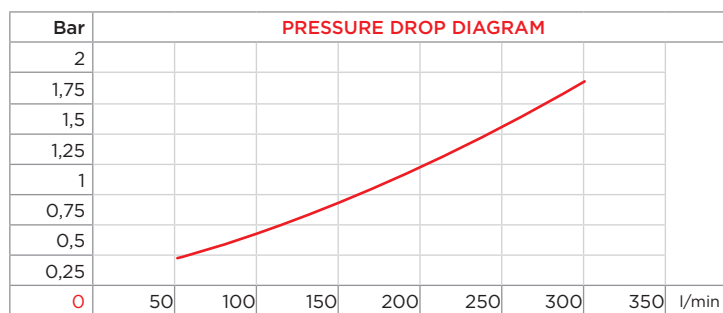
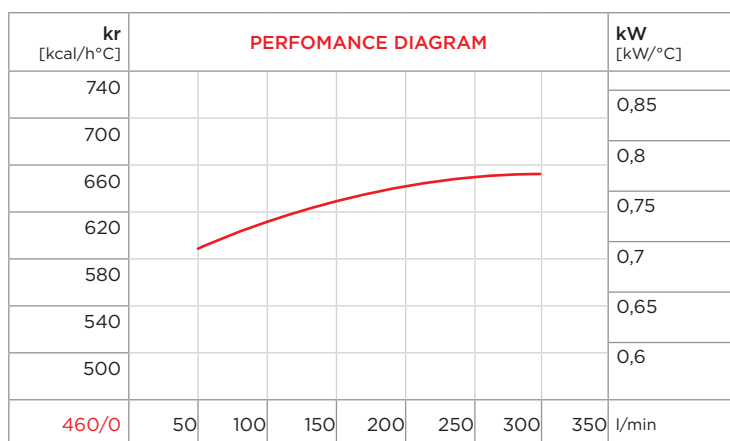


PURCHASE CODES

| | |
|-------------------------------|-------------------|
| AP 580 I with hydraulic motor | 3RAP58011A |
| AP 580 I prepared | 3RAP58014A |

SPARE PARTS

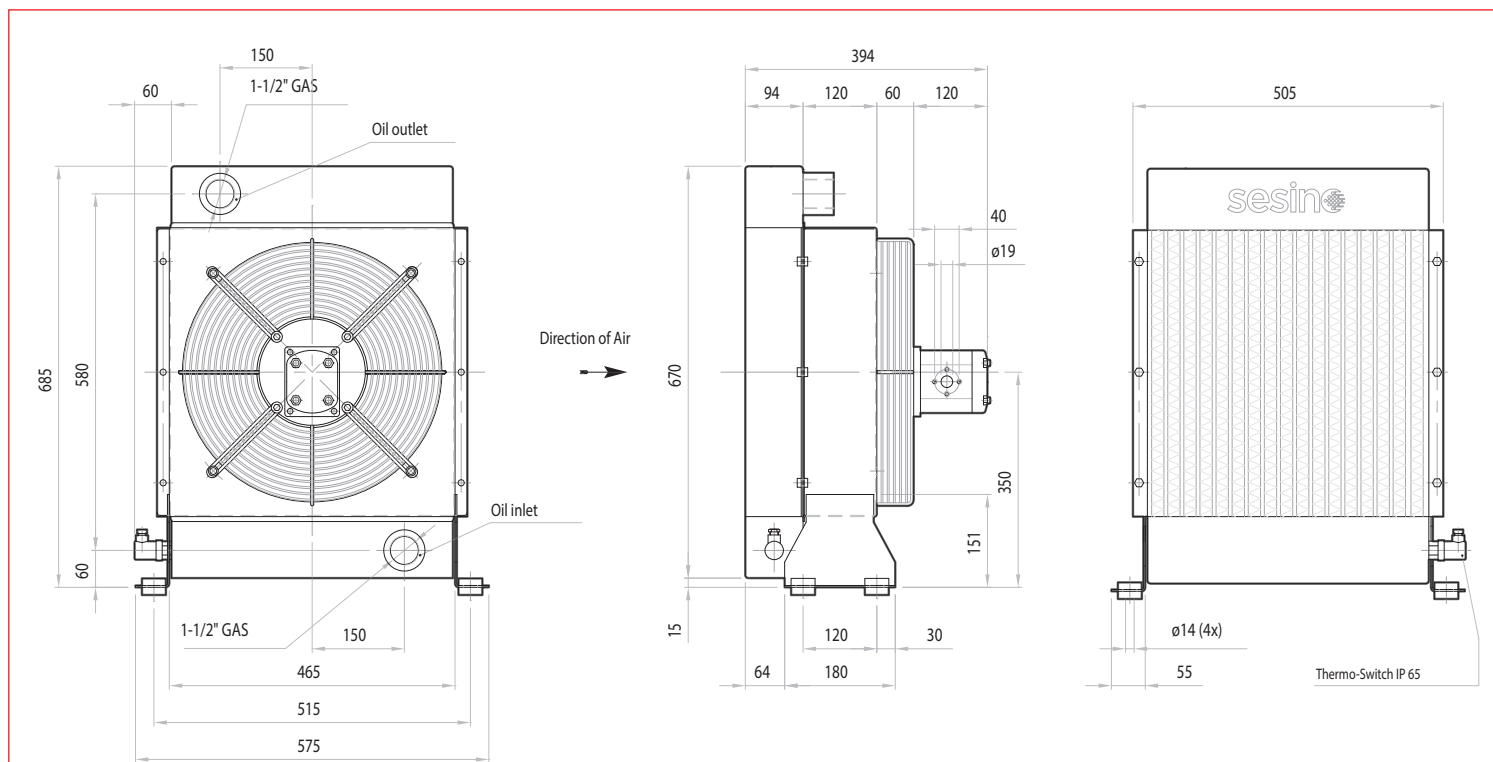
| | |
|----------------------------------|------------|
| Frame | 3CNAP580.1 |
| Shock isolating mounting (4 pcs) | 3KIT4135 |
| Electric junction box for | 1CSSDSAREL |
| Cooling element | 3RNL580 |
| Fan | 1G580I |
| Hydraulic motor | 1MO2/M16 |
| Thermo-switch 60-49 IP 65 | 1TRM60-49 |
| Thermo-switch 47-36 IP 65 | 1TRM47-36 |
| Fan Grill | 1RTAP580I |



CORRECTION FACTOR

| cSt | 22 | 30 | 46 | 68 | 100 | 150 | 220 |
|-----|-----|----|-----|-----|-----|-----|-----|
| f | 0,6 | 1 | 1,5 | 2,3 | 3,5 | 5 | 7 |

- Dimensions and technical characteristics are not binding



| OIL FLOW | FAN SPEED | POWER | DISPLACEMENT | MOTOR FLOW | AIR FLOW | NOISE LEVEL | WEIGHT | CAPACITY | ø FAN |
|----------|-----------|-------|--------------|------------|-------------------|-------------|--------|----------|-------|
| l/min | rpm | W | cc/r | l/min | m ³ /h | dB(A) | kg | lt. | mm |
| 100-250 | 2.250 | 880 | 11,3 | 26 | 8.000 | 78 | 38 | 11,5 | 400 |

AP 680 I

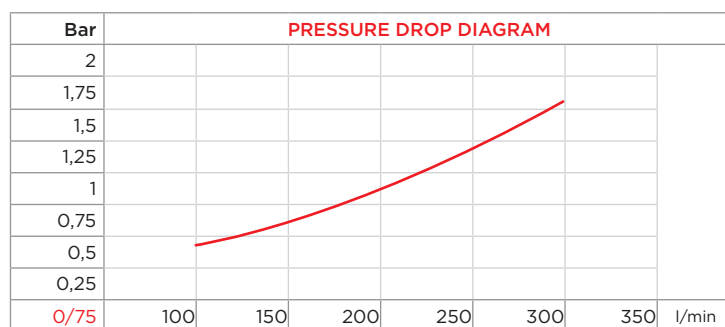
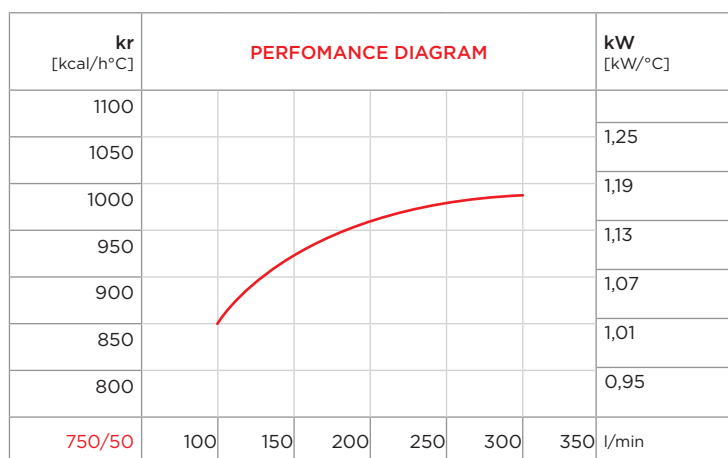


PURCHASE CODES

| | |
|-------------------------------|-------------------|
| AP 680 I with hydraulic motor | 3RAP68011A |
| AP 680 I prepared | 3RAP68014A |

SPARE PARTS

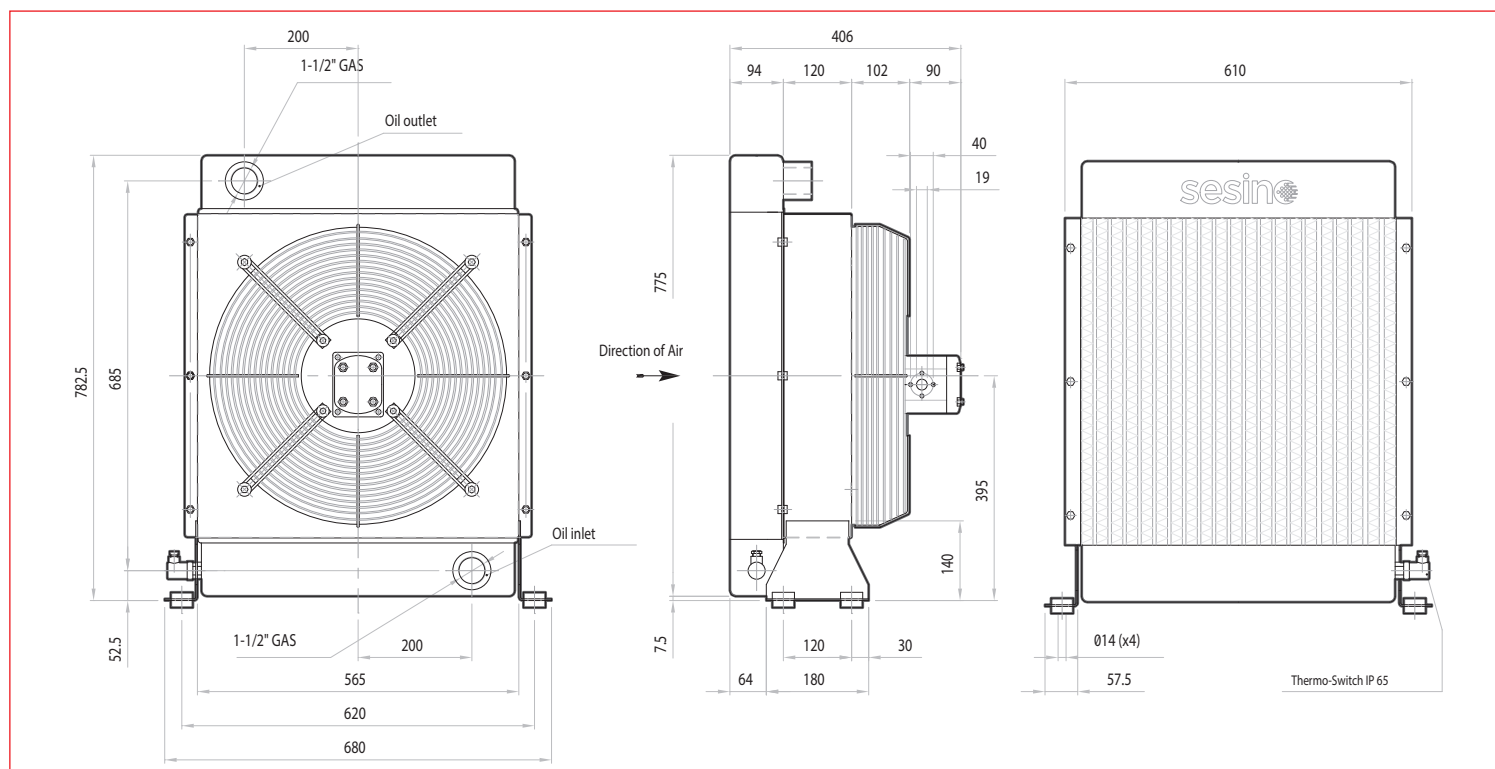
| | |
|----------------------------------|------------|
| Frame | 3CNAP680.1 |
| Shock isolating mounting (4 pcs) | 3KIT4135 |
| Electric junction box | 1CSSDSAREL |
| Cooling element | 3RNAP680E |
| Electric fan | 1G680I |
| Thermo-switch 60-49 IP 65 | 1TRM60-49 |
| Thermo-switch 47-36 IP 65 | 1TRM47-36 |
| Fan Grill | 1RTAP680I |



CORRECTION FACTOR

| cSt | 22 | 30 | 46 | 68 | 100 | 150 | 220 |
|-----|-----|----|-----|-----|-----|-----|-----|
| f | 0,6 | 1 | 1,5 | 2,3 | 3,5 | 5 | 7 |

- Dimensions and technical characteristics are not binding



| OIL FLOW | FAN SPEED | POWER | DISPLACEMENT | MOTOR FLOW | AIR FLOW | NOISE LEVEL | WEIGHT | CAPACITY | Ø FAN |
|----------|-----------|-------|--------------|------------|----------|-------------|--------|----------|-------|
| l/min | rpm | W | cc/r | l/min | m³/h | dB(A) | kg | lt. | mm |
| 100-300 | 1.450 | 750 | 11,3 | 17 | 10.000 | 80 | 48 | 15 | 500 |

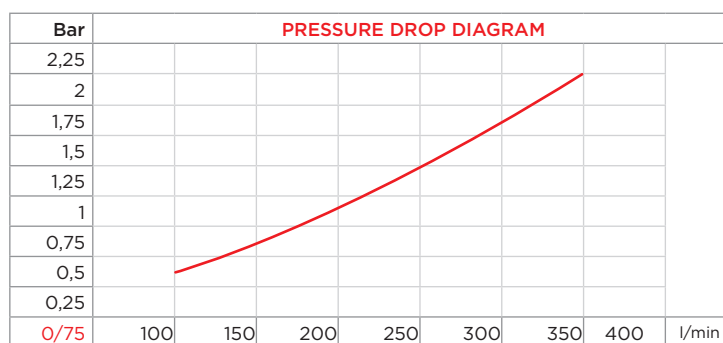
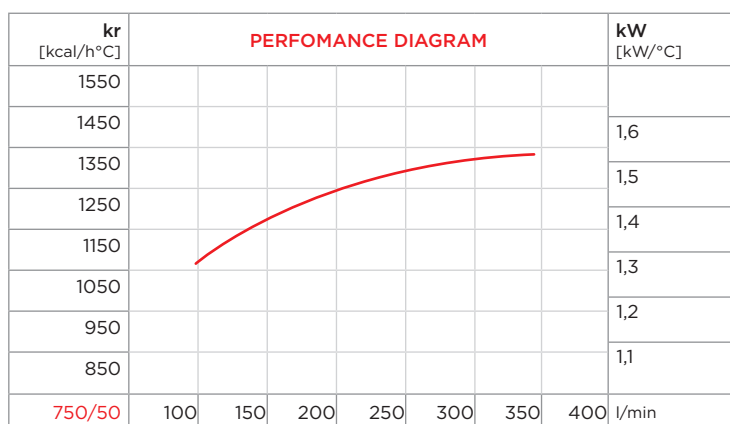


PURCHASE CODES

| | |
|-------------------------------|-------------------|
| AP 730 I with hydraulic motor | 3RAP730I1A |
| AP 730 I prepared | 3RAP730I4A |

SPARE PARTS

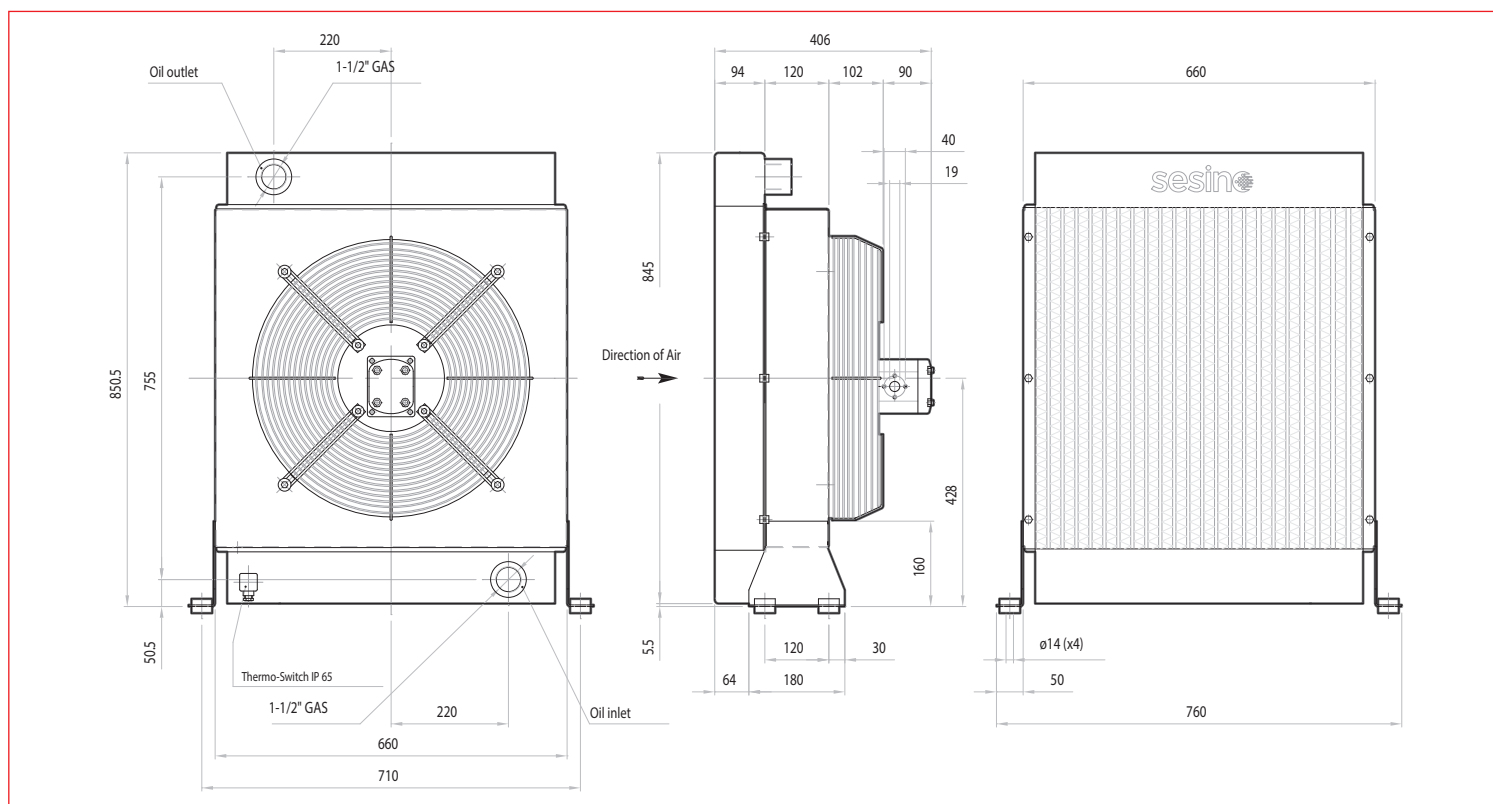
| | |
|----------------------------------|--------------|
| Frame | 3CNAP730IA.1 |
| Shock isolating mounting (4 pcs) | 3KIT4232 |
| Electric junction box | 1CSSDSAREL |
| Cooling element | 3RNAP730E |
| Electric fan | 1G680I |
| Hydraulic motor | 1MO2/M16 |
| Thermo-switch 60-49 IP 65 | 1TRM60-49 |
| Thermo-switch 47-36 IP 65 | 1TRM47-36 |
| Fan Grill | 1RTAP680I |



CORRECTION FACTOR

| cSt | 22 | 30 | 46 | 68 | 100 | 150 | 220 |
|-----|-----|----|-----|-----|-----|-----|-----|
| f | 0,6 | 1 | 1,5 | 2,3 | 3,5 | 5 | 7 |

- Dimensions and technical characteristics are not binding



| OIL FLOW | FAN SPEED | POWER | DISPLACEMENT | MOTOR FLOW | AIR FLOW | NOISE LEVEL | WEIGHT | CAPACITY | Ø FAN |
|----------|-----------|-------|--------------|------------|----------|-------------|--------|----------|-------|
| l/min | rpm | W | cc/r | l/min | m³/h | dB(A) | kg | lt. | mm |
| 100-350 | 1.450 | 1.000 | 11,3 | 17 | 12.000 | 80 | 56 | 16 | 600 |

AP 830 I

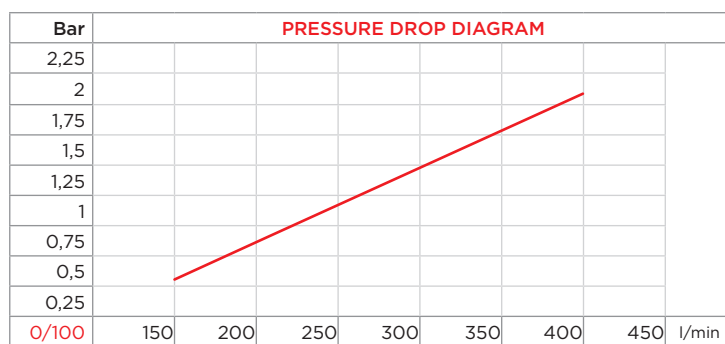
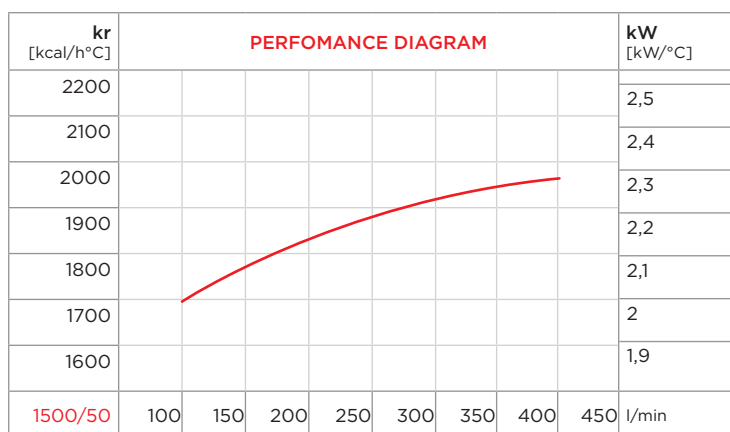


PURCHASE CODES

| | |
|-------------------------------|-------------------|
| AP 830 I with hydraulic motor | 3RAP830I2A |
| AP 830 I prepared | 3RAP830I4A |

SPARE PARTS

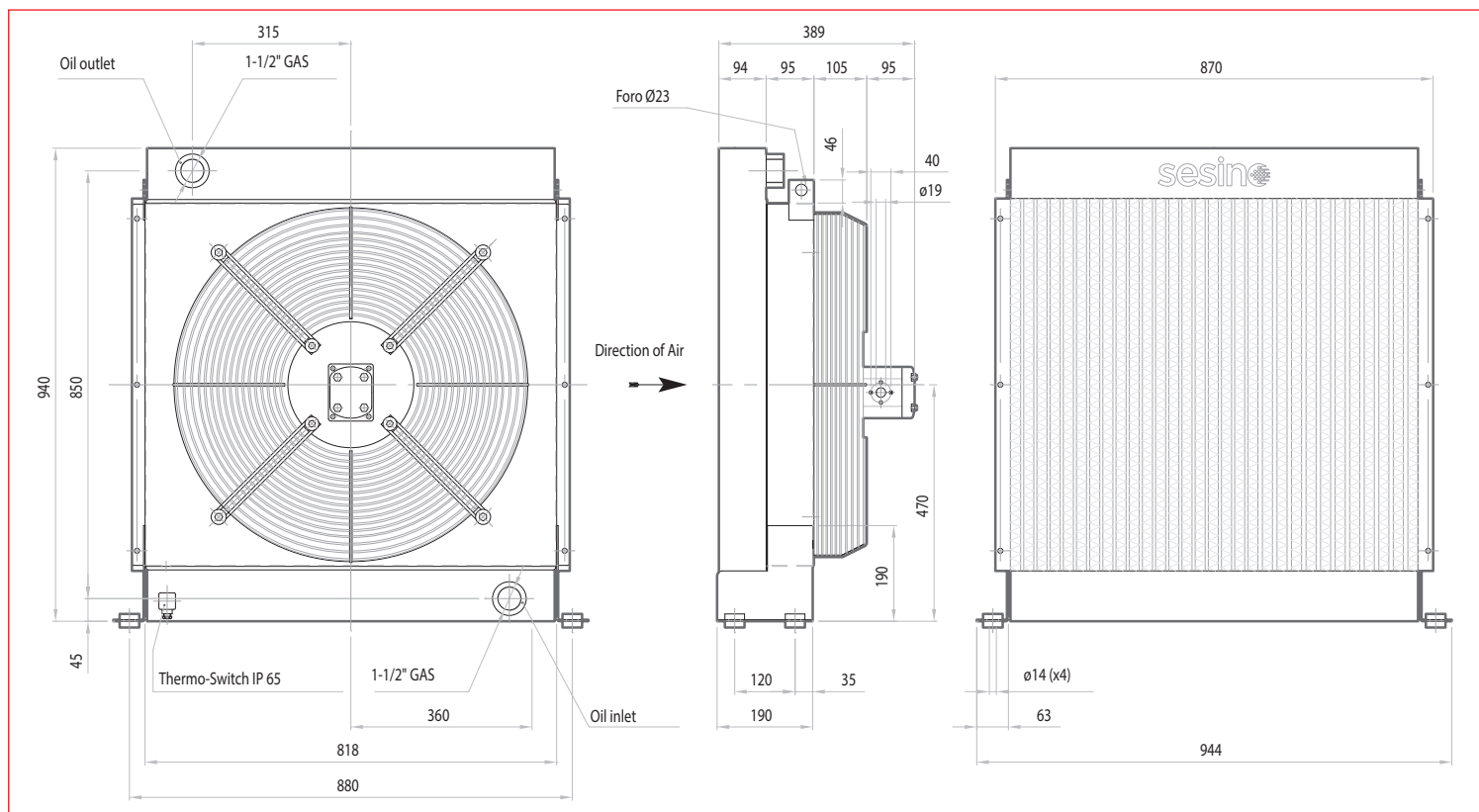
| | |
|----------------------------------|--------------|
| Frame | 3CNAP830IA.1 |
| Shock isolating mounting (4 pcs) | 3KIT4232 |
| Electric junction box | 1CSSDSAREL |
| Cooling element | 3RNAP830E |
| Electric fan | 1G830I |
| Hydraulic motor | 1MO2/M25 |
| Thermo-switch 60-49 IP 65 | 1TRM60-49 |
| Thermo-switch 47-36 IP 65 | 1TRM47-36 |
| Fan Grill | 1RTAP830I |



CORRECTION FACTOR

| cSt | 22 | 30 | 46 | 68 | 100 | 150 | 220 |
|-----|-----|----|-----|-----|-----|-----|-----|
| f | 0,6 | 1 | 1,5 | 2,3 | 3,5 | 5 | 7 |

- Dimensions and technical characteristics are not binding



| OIL FLOW | FAN SPEED | POWER | DISPLACEMENT | MOTOR FLOW | AIR FLOW | NOISE LEVEL | WEIGHT | CAPACITY | Ø FAN |
|----------|-----------|-------|--------------|------------|----------|-------------|--------|----------|-------|
| l/min | rpm | W | cc/r | l/min | m³/h | dB(A) | kg | lt. | mm |
| 150-400 | 1.300 | 1.300 | 17,5 | 23 | 15.000 | 82 | 74,5 | 20 | 680 |

AP 2/680 I

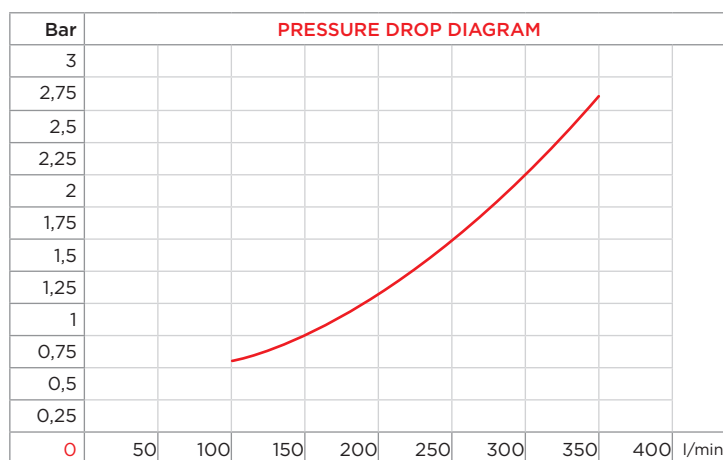
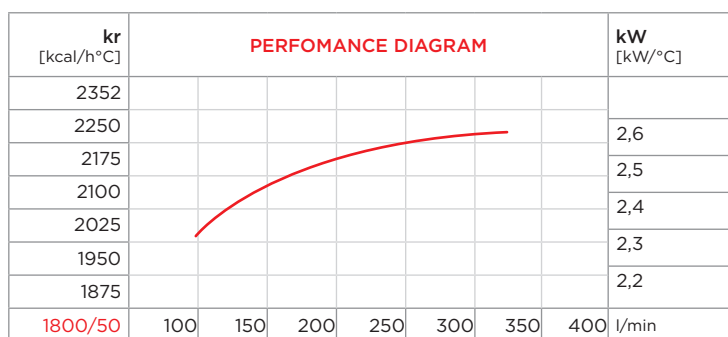


PURCHASE CODES

| | |
|---------------------------------|---------------------|
| AP 2/680 I with hydraulic motor | 3RAP2/68011A |
| AP 2/680 I prepared | 3RAP2/68014A |

SPARE PARTS

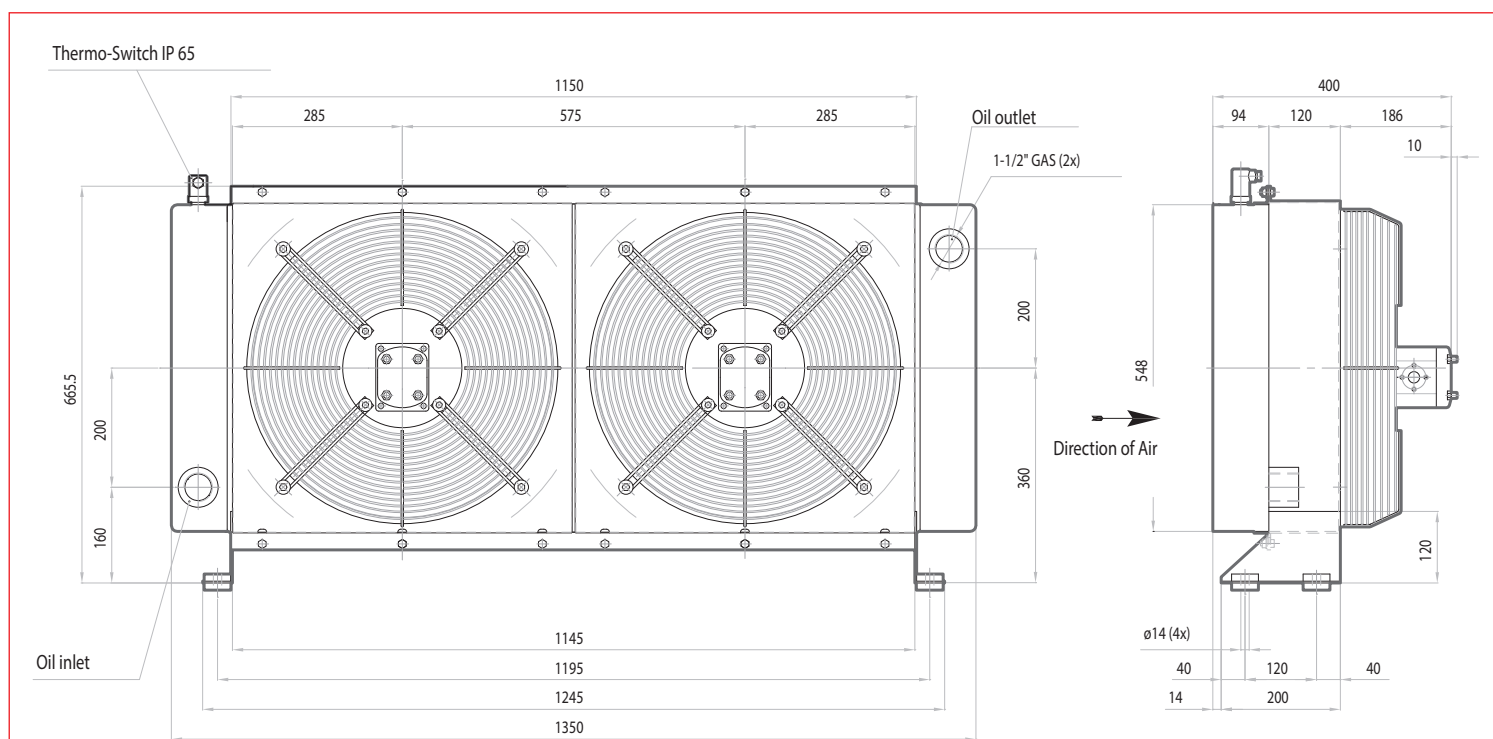
| | |
|----------------------------------|---------------|
| Frame | 3CNAP2/6800.1 |
| Shock isolating mounting (4 pcs) | 3KIT4232 |
| Electric junction box | 1CSDSAREL |
| Cooling element | 1RO01339 |
| Electric fan | 1G680I |
| Hydraulic motor | 1MO2/M16 |
| Thermo-switch 60-49 IP 65 | 1TRM60-49 |
| Thermo-switch 47-36 IP 65 | 1TRM47-36 |
| Fan Grill | 1RTAP680I |



CORRECTION FACTOR

| cSt | 22 | 30 | 46 | 68 | 100 | 150 | 220 |
|-----|-----|----|-----|-----|-----|-----|-----|
| f | 0,6 | 1 | 1,5 | 2,3 | 3,5 | 5 | 7 |

- Dimensions and technical characteristics are not binding



| OIL FLOW | FAN SPEED | POWER | DISPLACEMENT | MOTOR FLOW | AIR FLOW | NOISE LEVEL | WEIGHT | CAPACITY | Ø FAN |
|----------|-----------|-------|--------------|------------|----------|-------------|--------|----------|-------|
| l/min | rpm | W | cc/r | l/min | m³/h | dB(A) | kg | lt. | mm |
| 100-300 | 2x1.450 | 2x750 | 2x11,3 | 2x17 | 2x10.000 | 82 | 100 | 28 | 2x500 |

AP 2/830 I

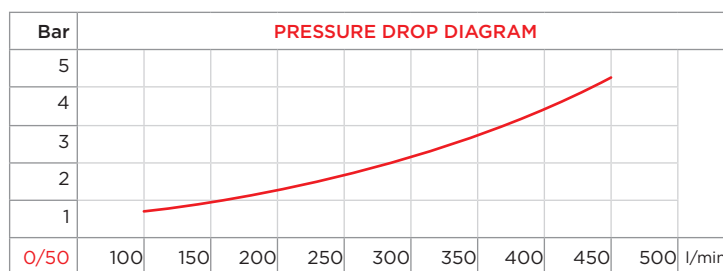
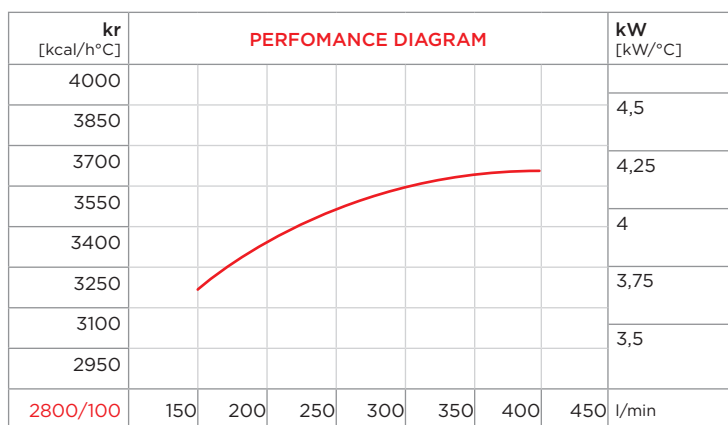


PURCHASE CODES

| | |
|---------------------------------|-------------------|
| AP 2/830 I with hydraulic motor | 3RAP830I2A |
| AP 2/830 I prepared | 3RAP830I4A |

SPARE PARTS

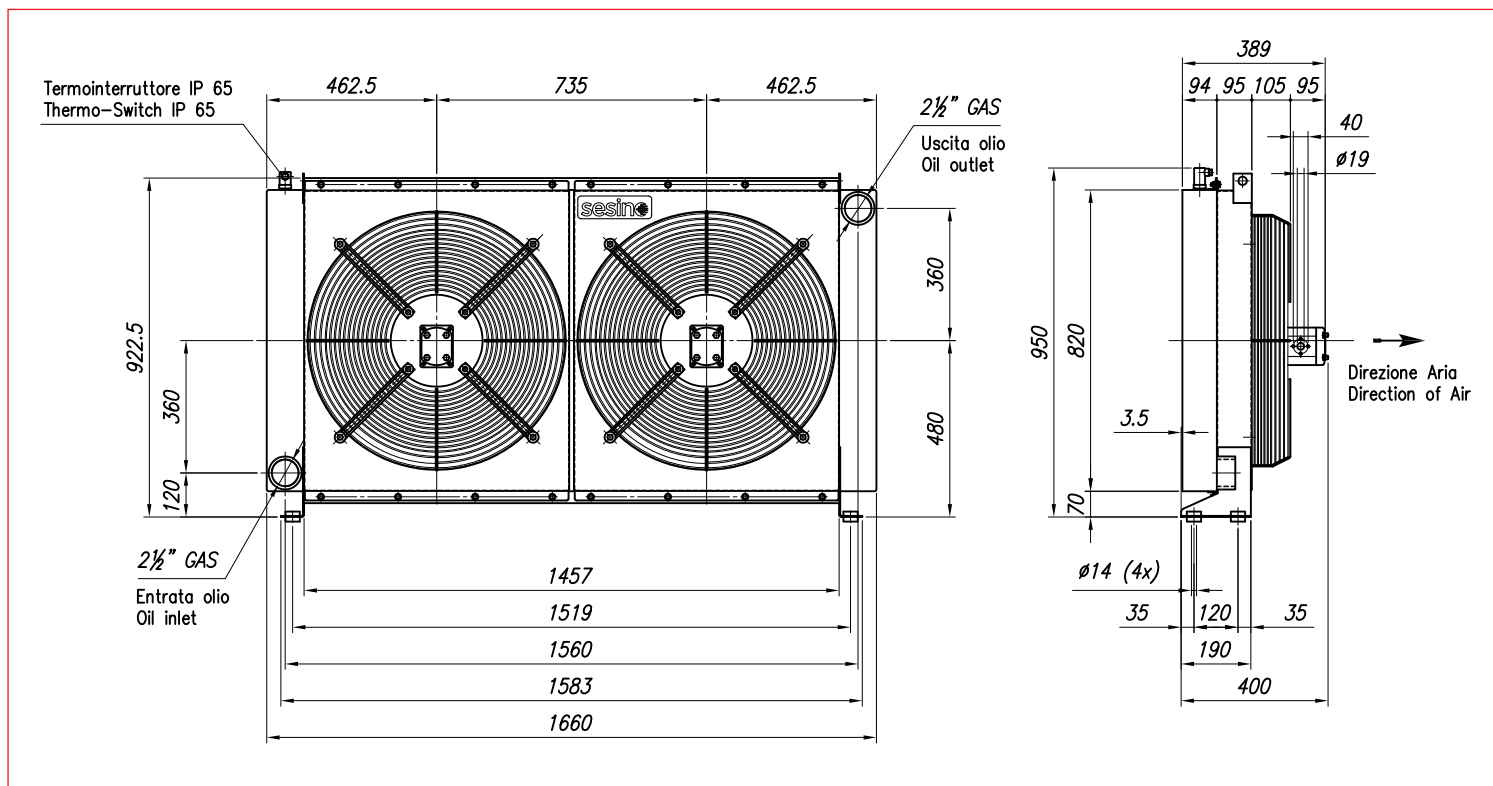
| | |
|----------------------------------|---------------|
| Frame | 3CNAP2/830I.1 |
| Shock isolating mounting (4 pcs) | 3KIT4232 |
| Electric junction box | 1CSSDSAREL |
| Cooling element | 3RNEO91247 |
| Electric fan | 1G830I |
| Hydraulic motor | 1MO2/M25 |
| Thermo-switch 60-49 IP 65 | 1TRM60-49 |
| Thermo-switch 47-36 IP 65 | 1TRM47-36 |
| Fan Grill | 1RTAP830I |



CORRECTION FACTOR

| cSt | 22 | 30 | 46 | 68 | 100 | 150 | 220 |
|-----|-----|----|-----|-----|-----|-----|-----|
| f | 0,6 | 1 | 1,5 | 2,3 | 3,5 | 5 | 7 |

- Dimensions and technical characteristics are not binding



| OIL FLOW | FAN SPEED | POWER | DISPLACEMENT | MOTOR FLOW | AIR FLOW | NOISE LEVEL | WEIGHT | CAPACITY | Ø FAN |
|----------|-----------|---------|--------------|------------|-------------------|-------------|--------|----------|-------|
| l/min | rpm | W | cc/r | l/min | m ³ /h | dB(A) | kg | lt. | mm |
| 150-400 | 2x1.300 | 2x1.300 | 2x17,5 | 2x23 | 2x15.000 | 82 | 148 | 40 | 2x680 |