

AP 178 E



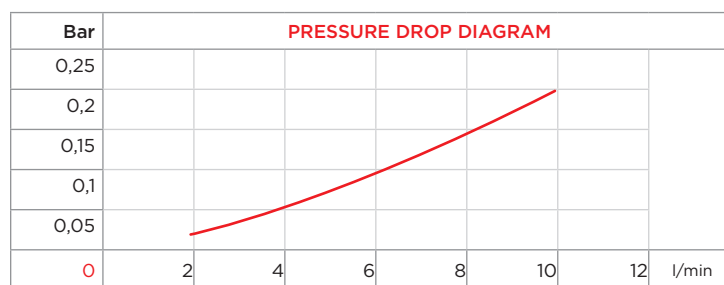
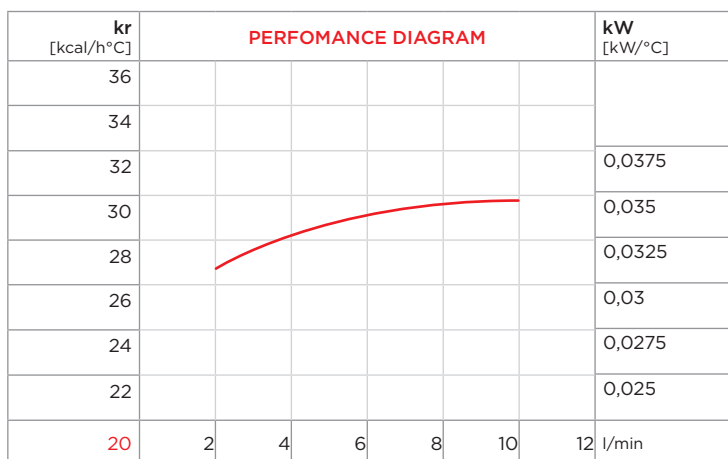
PURCHASE CODES

AP 178 E single-phase

3RAP178

SPARE PARTS

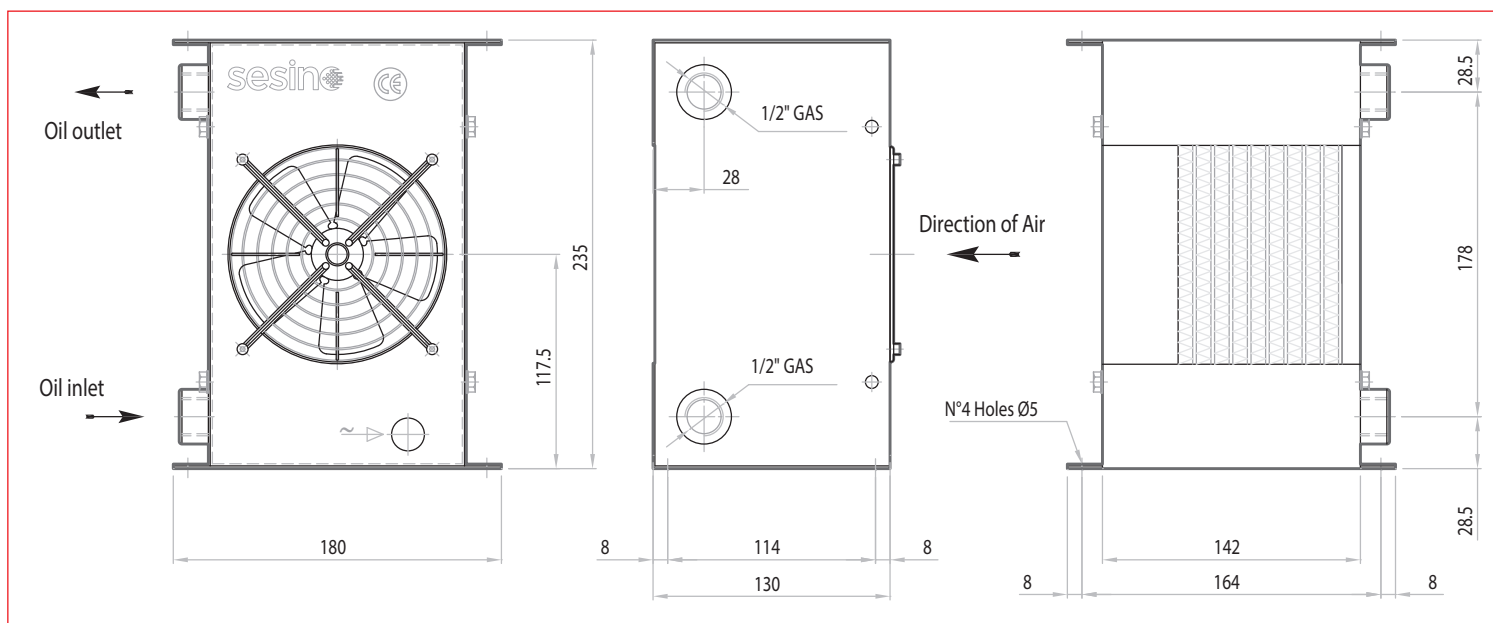
Cooling element	1RO92302
Fan grill	1GPR178
Frame	3CN178.1
Housing	3TL178.1
Electric Fan for 3RAP178	1VNAP178230



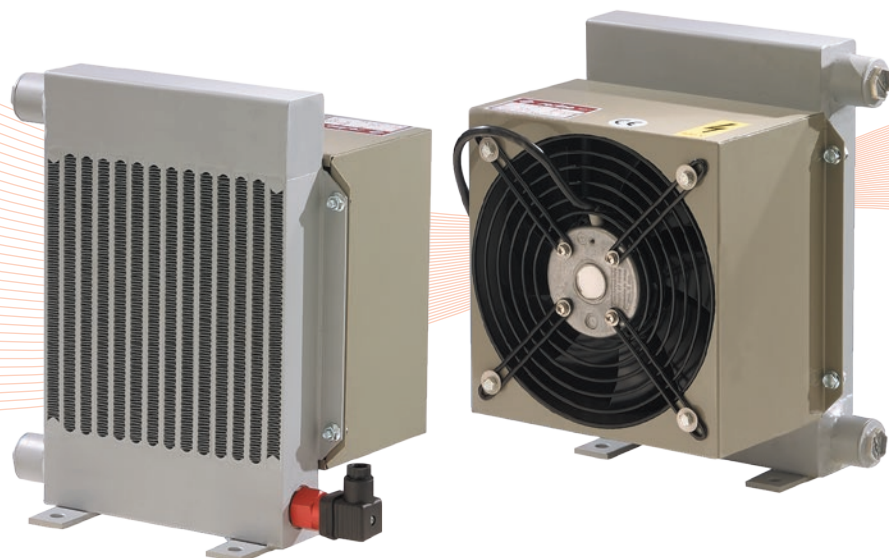
CORRECTION FACTOR

cSt	22	30	46	68	100	150	220
f	0,6	1	1,5	2,3	3,5	5	7

- Dimensions and technical characteristics are not binding



OIL FLOW	CAPACITY	VOLTAGE	FREQUENCY	POWER	CURRENT	AIR FLOW	PROTECTION	NOISE LEVEL	WEIGHT	Ø FAN
l/min	l	V	hz	W	A	m³/h	IP	dB(A)	kg	mm
1-10	0,5	230	50/60	19/18	1,2/1,1	125	54	55	4	125

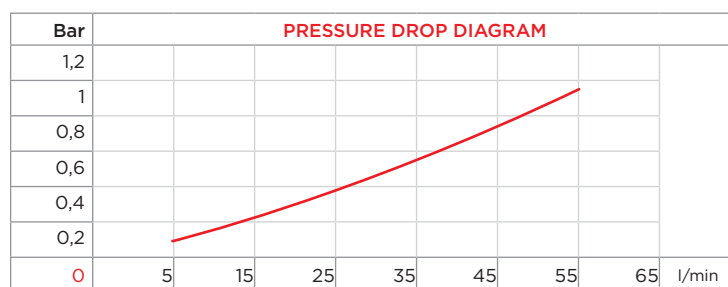
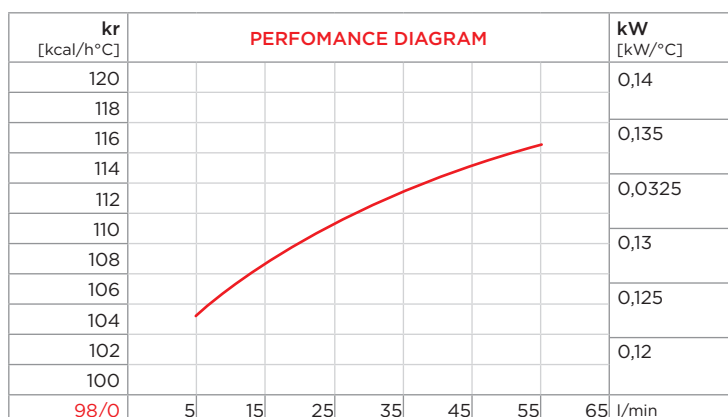


PURCHASE CODES

AP 260 E single-phase	3RAP260T1
AP 260 E three-phase	3RAP26038T1

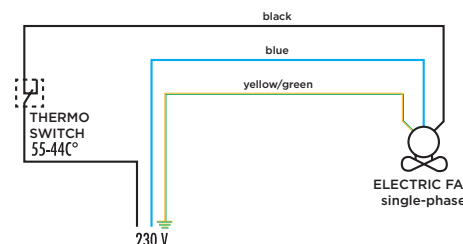
SPARE PARTS

Cooling element	3RNAP260
Thermo-switch 55-42 IP54	1TRM55-42
Frame	3CNAP260CA.1
Electric Fan for 3RAP260T1	1VNA2E200.1
Electric Fan for 3RAP26038T1	1VNA2D200

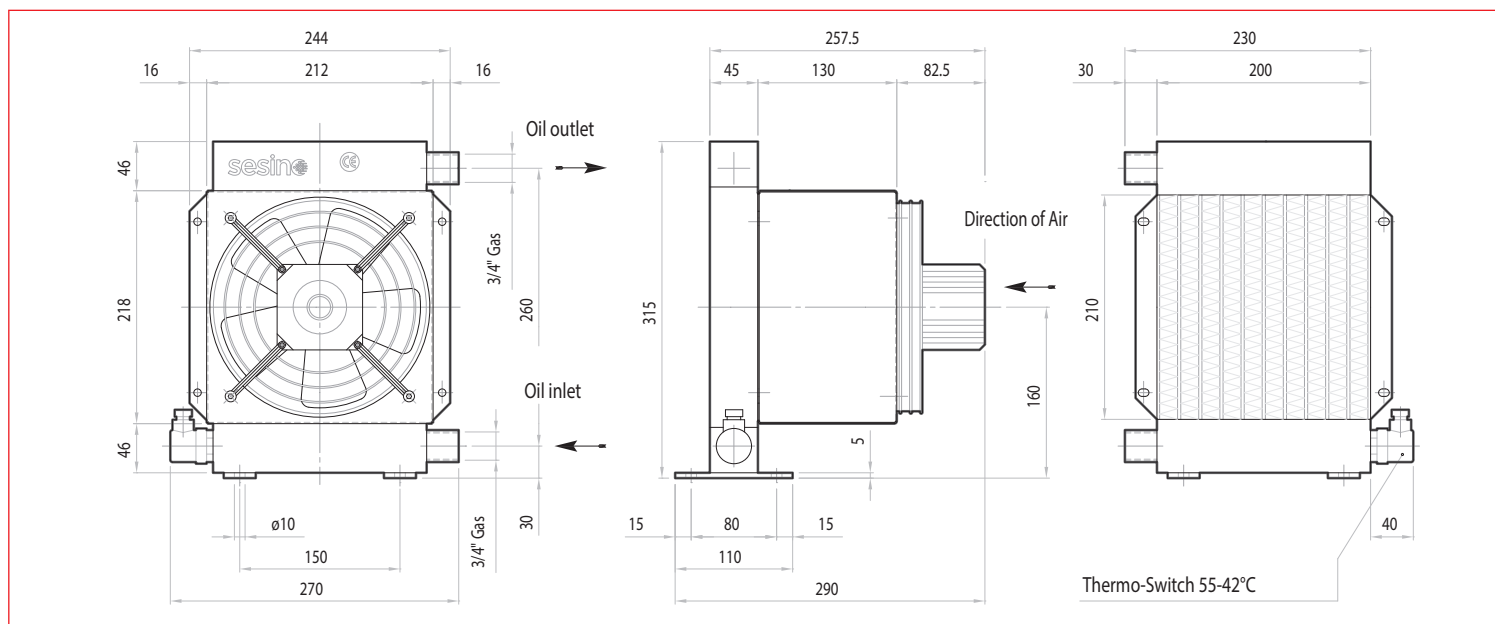


CORRECTION FACTOR

cSt	22	30	46	68	100	150	220
f	0,6	1	1,5	2,3	3,5	5	7



- Dimensions and technical characteristics are not binding



OIL FLOW	CAPACITY	VOLTAGE	FREQUENCY	POWER	CURRENT	AIR FLOW	PROTECTION	NOISE LEVEL	WEIGHT	Ø FAN
l/min	l	V	hz	W	A	m³/h	IP	dB(A)	kg	mm
50-60	1,2	230/240	50/60	18/62	0,27	630	54	55	6	200
50-60	1,2	400	50/60	68/70	0,17/0,13	630	54	55	6	200

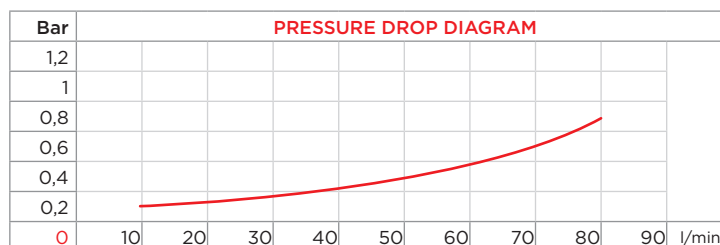
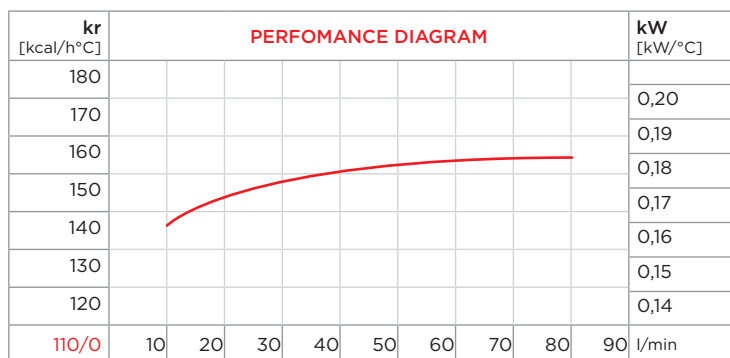
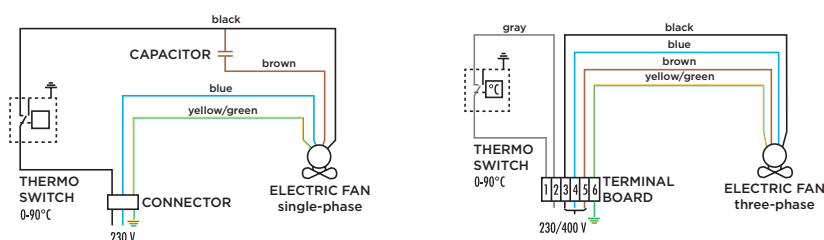


PURCHASE CODES

AP 300 E single-phase	3RAP300
AP 300 E three-phase	3RAP30038

SPARE PARTS

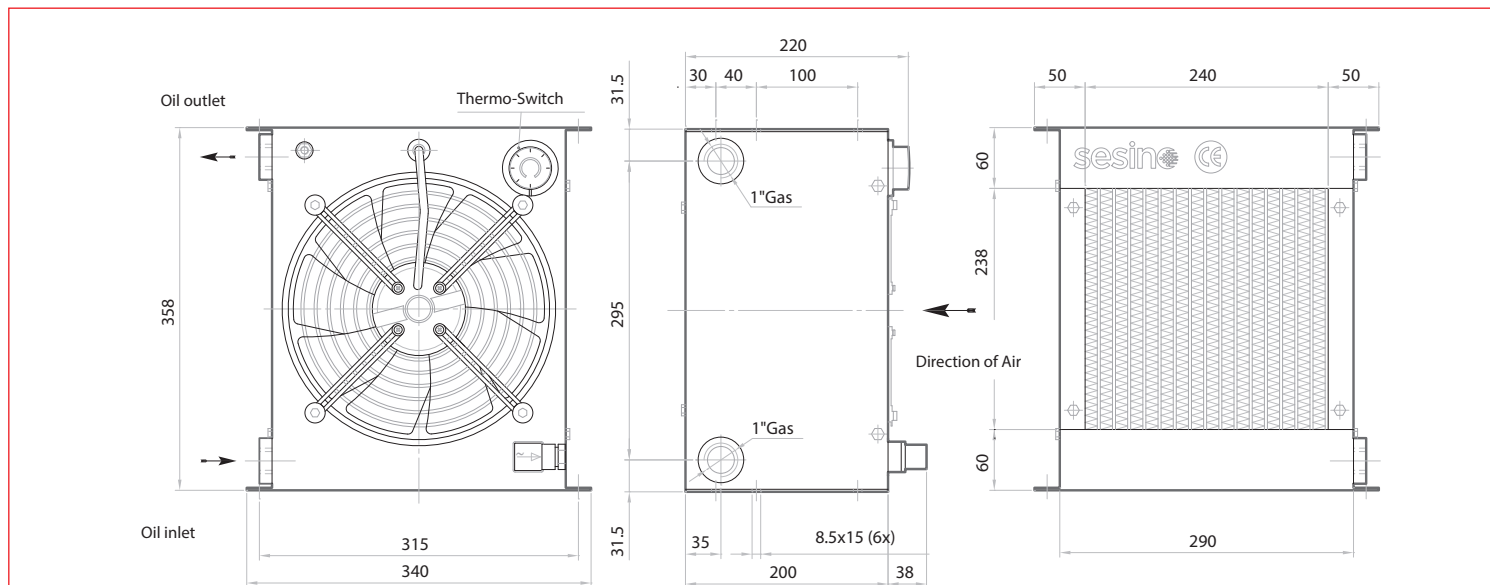
Cooling element	3RNAP300
Frame	3CNAP300
Housing	1300TLV
Adjustable thermo-switch	1TRMO-90
Electric fan for 3RAP300	1VNA2E250G
Electric fan for 3RAP30038	1VNA2D250.2
Electric junction box for 3RAP30038	1CSSDSAREL



CORRECTION FACTOR

cSt	22	30	46	68	100	150	220
f	0,6	1	1,5	2,3	3,5	5	7

- Dimensions and technical characteristics are not binding



OIL FLOW	CAPACITY	VOLTAGE	FREQUENCY	POWER	CURRENT	AIR FLOW	PROTECTION	NOISE LEVEL	WEIGHT	Ø FAN
l/min	l	V	hz	W	A	m³/h	IP	dB(A)	kg	mm
10-80	2	230	50/60	115/150	0,51/0,66	910	54	74	12	250
10-80	2	400	50/60	0,20/0,23	100/140	950	54	73	12	250

AP 300/2 E

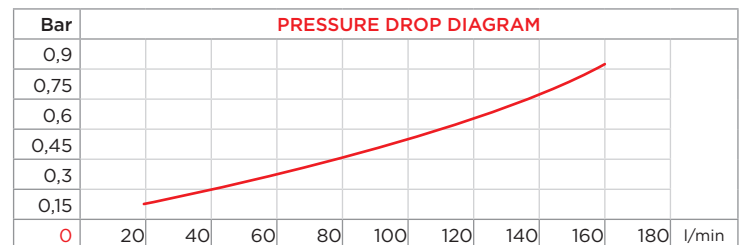
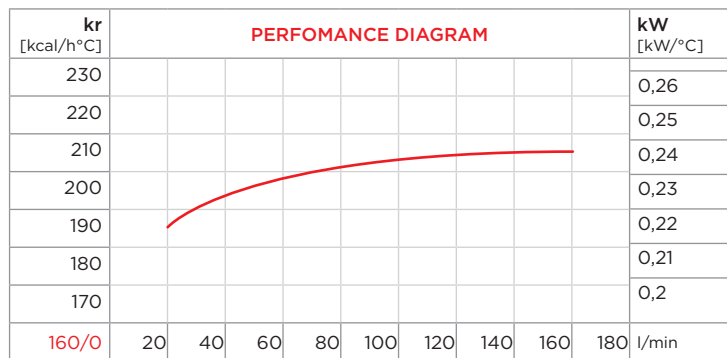
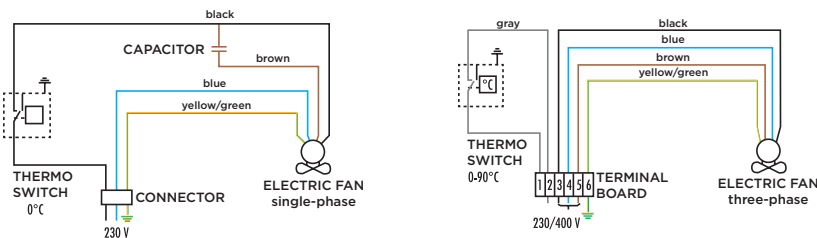


PURCHASE CODES

AP 300/2 E single-phase	3RAP302
AP 300/2 E three-phase	3RAP30238

SPARE PARTS

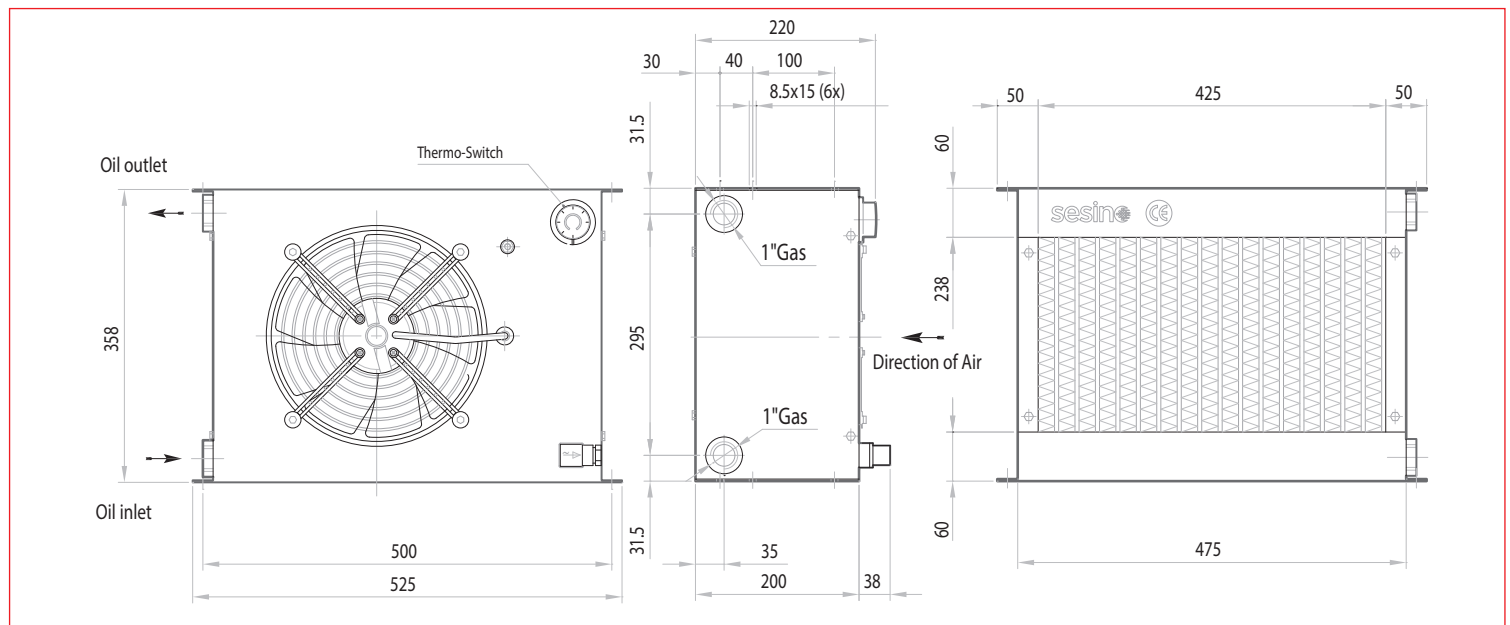
Cooling element	3RNAP302
Frame	3CNAP302
Housing	1302TLV
Adjustable thermo-switch	1TRM0-90
Electric fan for 3RAP302	1VNA2E250G
Electric fan for 3RAP30238	1VNA2D250.2
Electric junction box for 3RAP30038	1CSSDSAREL



CORRECTION FACTOR

cSt	22	30	46	68	100	150	220
f	0,6	1	1,5	2,3	3,5	5	7

- Dimensions and technical characteristics are not binding



OIL FLOW	CAPACITY	VOLTAGE	FREQUENCY	POWER	CURRENT	AIR FLOW	PROTECTION	NOISE LEVEL	WEIGHT	Ø FAN
l/min	l	V	hz	W	A	m³/h	IP	dB(A)	kg	mm
20-160	3,6	230	50/60	115/150	0,51/0,66	1.300	54	75	17	250
20-160	3,6	400	50/60	0,20/0,23	100/140	1.300	54	73	12	250

AP 430 E

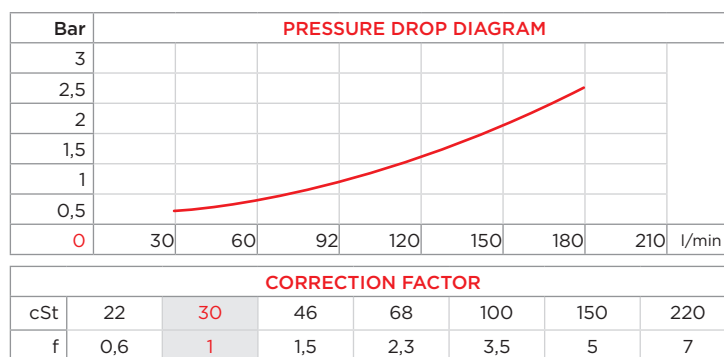
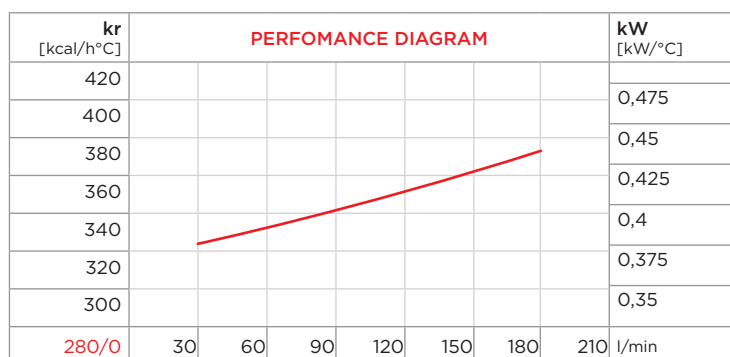
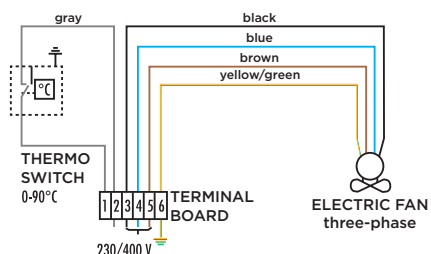


PURCHASE CODES

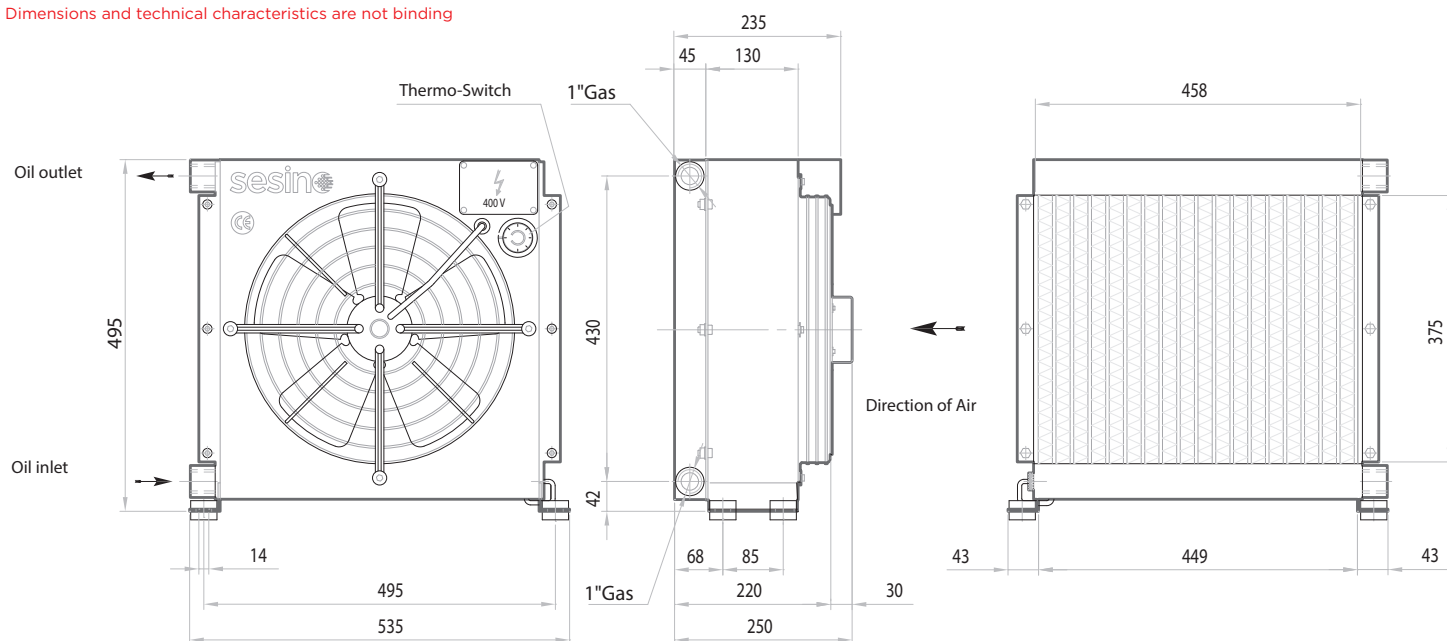
AP 430 E three-phase 3RAP430

SPARE PARTS

Cooling element	3RNAP430E
Frame	1430CNV
Adjustable thermo-switch	1TRM0-90
Shock isolating mounting (4 pcs)	3KIT4511
Electric Fan for 3RAP430	1VNELCO43038DV
Electric junction box for 3RAP430	1CSSDSAREL



- Dimensions and technical characteristics are not binding



OIL FLOW	CAPACITY	VOLTAGE	FREQUENCY	POWER	CURRENT	AIR FLOW	PROTECTION	NOISE LEVEL	WEIGHT	Ø FAN
l/min	l	V	hz	W	A	m³/h	IP	dB(A)	kg	mm
30-180	3,6	Δ 230 Y 400	50	110/205	0,67/0,39	2.750	55	73	18	350
30-180	3,6	Δ 265 Y 460	60	110/200	0,57/0,33	2.750	55	73	18	350

AP 430 2/E

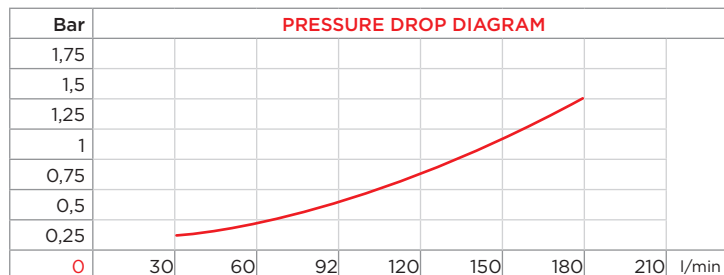
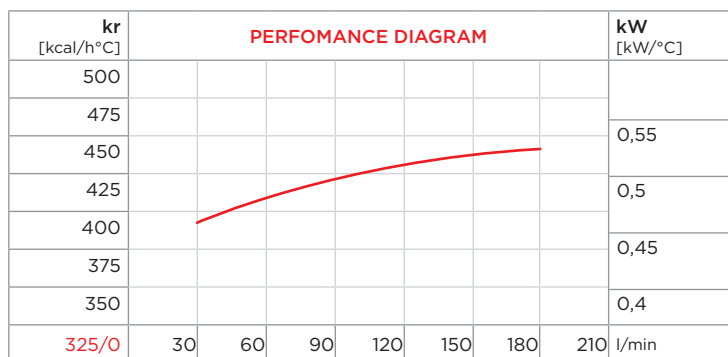
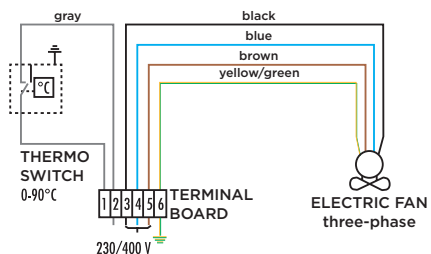


PURCHASE CODES

AP 430 2/E three-phase 3RAP432.1

SPARE PARTS

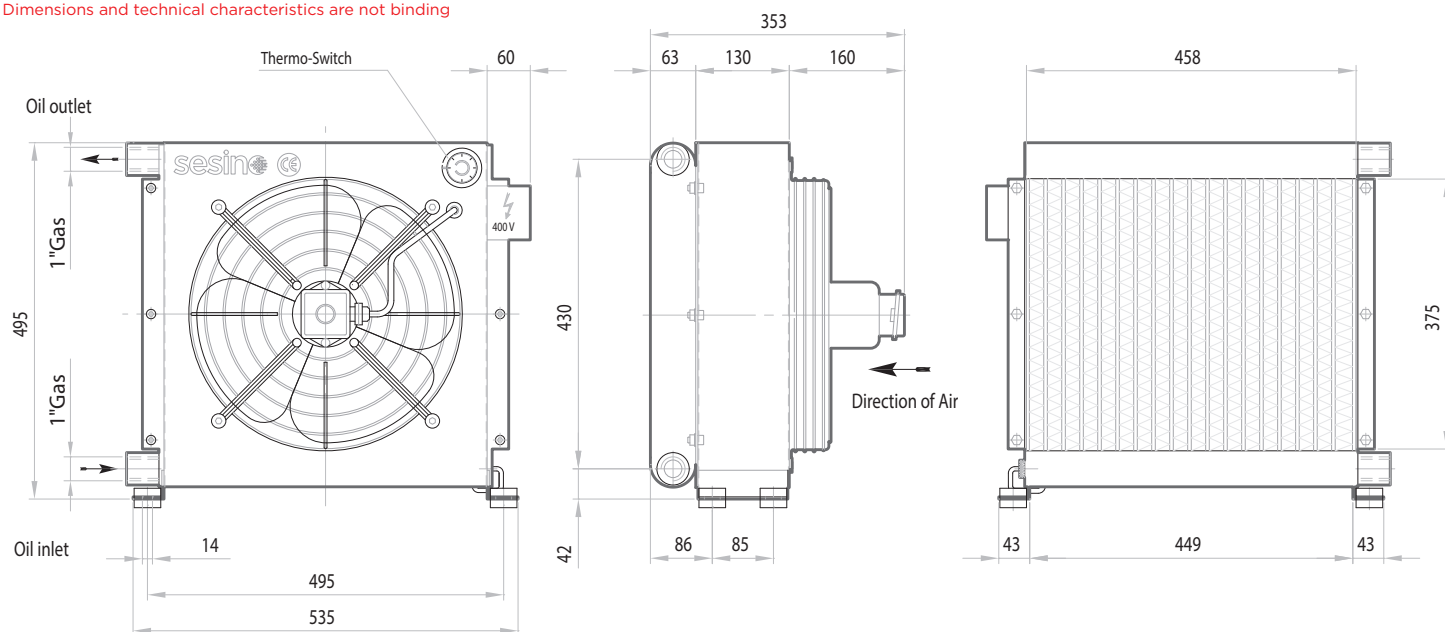
Cooling element	3RNAP432E
Frame	1432CNV
Adjustable thermo-switch	1TRM0-90
Shock isolating mounting (4 pcs)	3KIT4511
Electric Fan for 3RAP432.1	1VNELCO43238DV1
Electric junction box for 3RAP432.1	1CSSDSAREL



CORRECTION FACTOR

cSt	22	30	46	68	100	150	220
f	0,6	1	1,5	2,3	3,5	5	7

- Dimensions and technical characteristics are not binding



OIL FLOW	CAPACITY	VOLTAGE	FREQUENCY	POWER	CURRENT	AIR FLOW	PROTECTION	NOISE LEVEL	WEIGHT	Ø FAN
l/min	l	V	hz	W	A	m³/h	IP	dB(A)	kg	mm
30-180	5,5	Δ 230 Y 400	50	110/180	0,57/0,33	2.700	55	72	24	400
30-180	5,5	Δ 265 Y 460	60	145/260	0,68/0,39	3.500	55	72	24	400

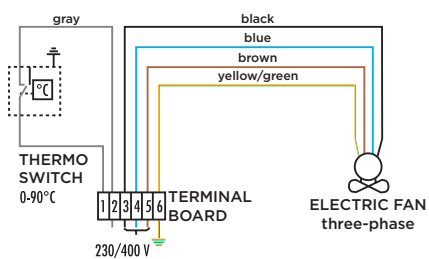
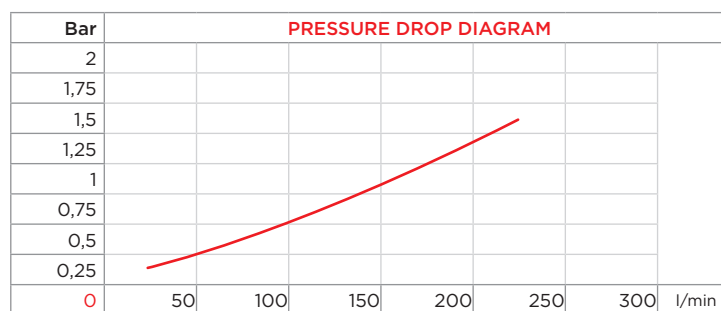
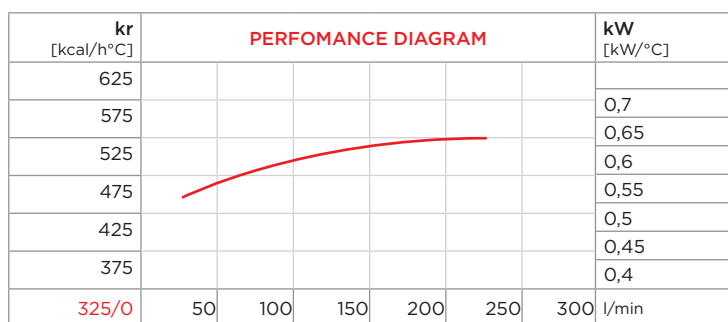


PURCHASE CODES

AP 494 EB three-phase **3RAP494EB**

SPARE PARTS

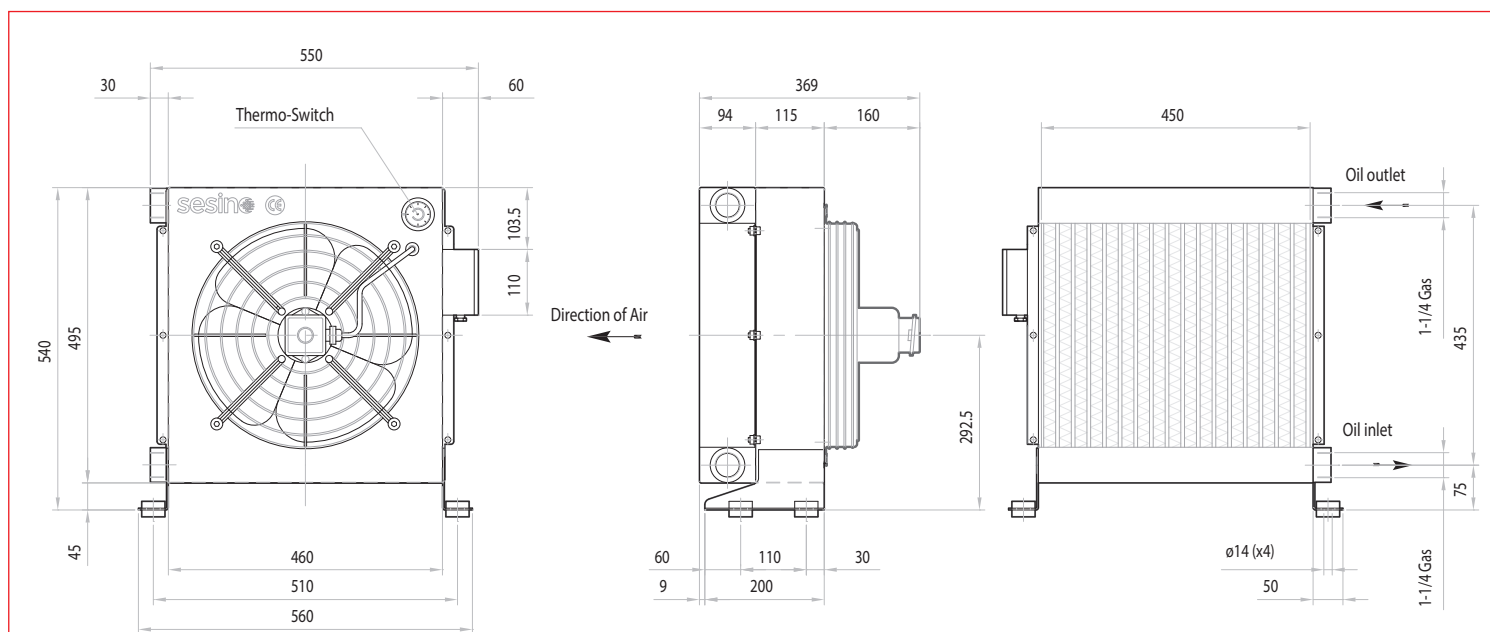
Adjustable thermo-switch	1TRM0-90
Shock isolating mounting (4 pcs)	3KIT4135
Electric junction box	1CSSDSAREL
Frame	3CNAP494EB.1
Cooling element	1RO99332
Electric fan	1VNELCO43238DV1



CORRECTION FACTOR

cSt	22	30	46	68	100	150	220
f	0,6	1	1,5	2,3	3,5	5	7

- Dimensions and technical characteristics are not binding



OIL FLOW	CAPACITY	VOLTAGE	FREQUENCY	POWER	CURRENT	AIR FLOW	PROTECTION	NOISE LEVEL	WEIGHT	Ø FAN
l/min	l	V	hz	W	A	m³/h	IP	dB(A)	kg	mm
30-240	8	Δ 230 Y 400	50	110/180	0,57/0,33	2.750	55	72	28	400
30-240	8	Δ 265 Y 460	60	145/260	0,68/0,39	3.300	55	73	28	400

AP 580 EB



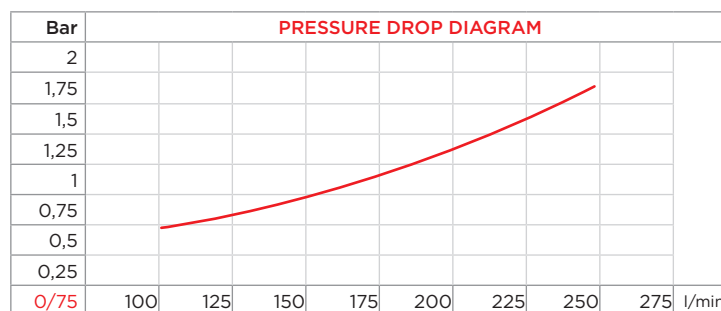
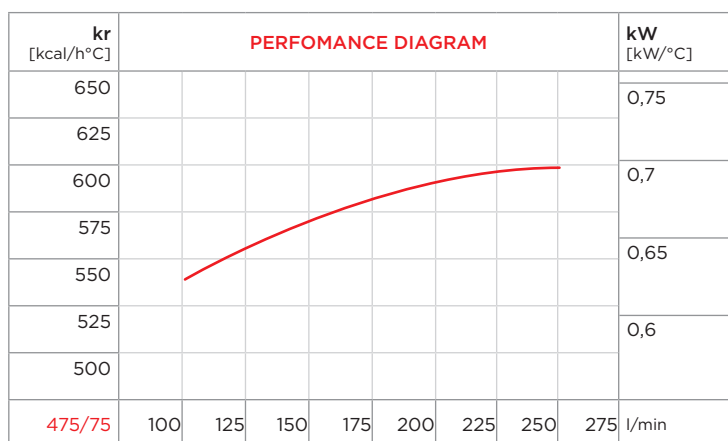
PURCHASE CODES

AP 580 EB three-phase

3RAP580EB

SPARE PARTS

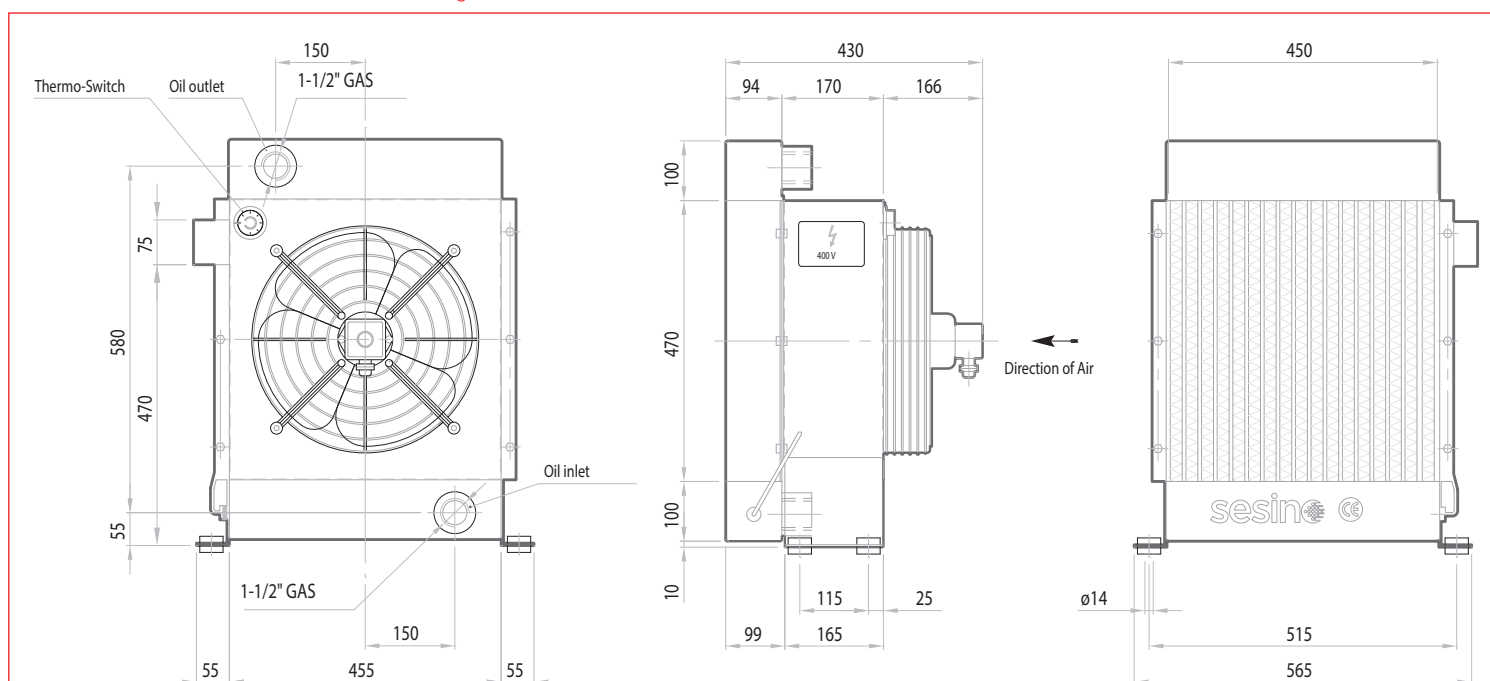
Adjustable thermo-switch	1TRM0-90
Shock isolating mounting (4 pcs)	3KIT4135
Electric junction box	1CSDSAREL
Cooling element	3RNAP580E
Electric fan	1VNELCO43238DV1
Frame	3CNAP580EB.1



CORRECTION FACTOR

cSt	22	30	46	68	100	150	220
f	0,6	1	1,5	2,3	3,5	5	7

- Dimensions and technical characteristics are not binding



OIL FLOW	CAPACITY	VOLTAGE	FREQUENCY	POWER	CURRENT	AIR FLOW	PROTECTION	NOISE LEVEL	WEIGHT	Ø FAN
l/min	l	V	hz	W	A	m³/h	IP	dB(A)	kg	mm
100-250	11,5	Δ 230 Y 400	50	110/180	0,57/0,33	3.500	55	72	40	400
100-250	11,5	Δ 265 Y 460	60	145/260	0,68/0,39	4.800	55	72	40	400

AP 680 EB

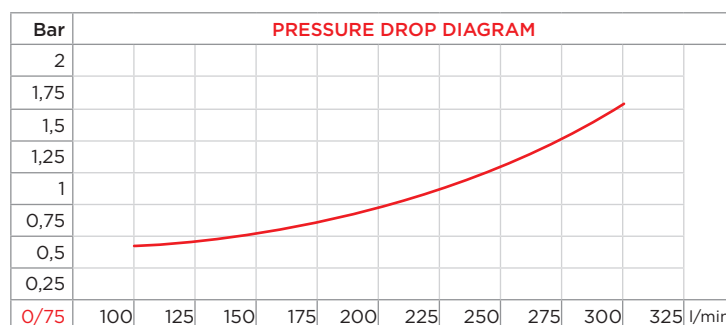
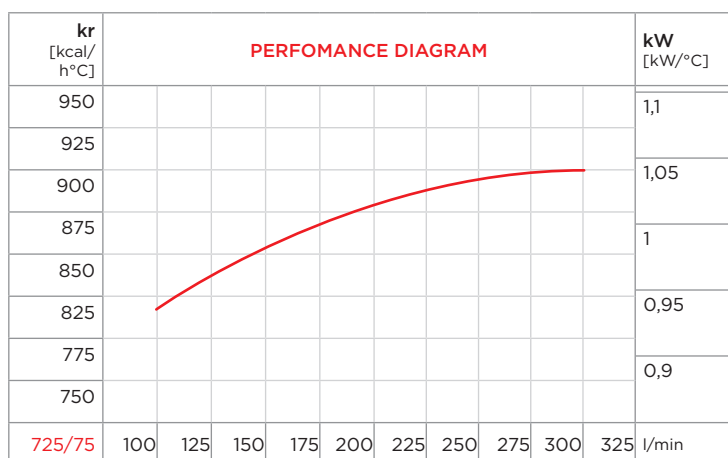


PURCHASE CODES

AP 680 EB three-phase **3RAP680EB**

SPARE PARTS

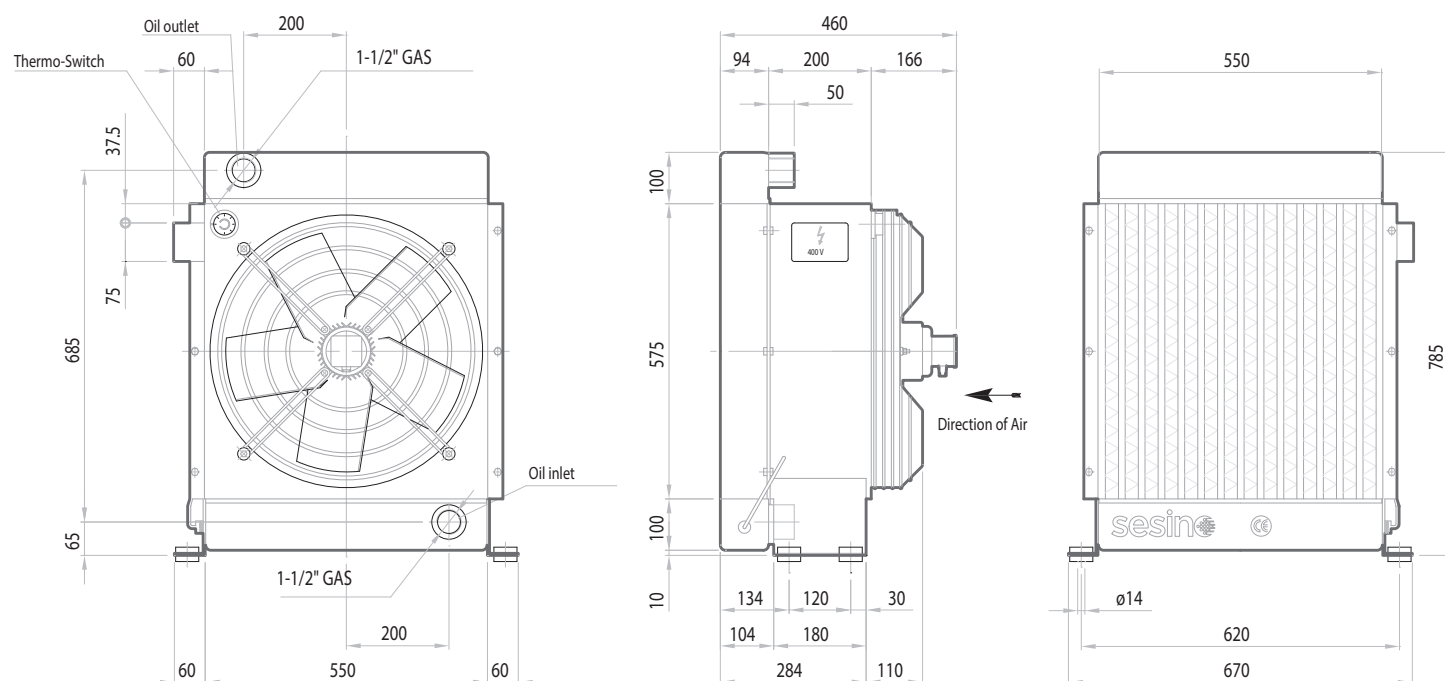
Adjustable thermo-switch	1TRM0-90
Shock isolating mounting (4 pcs)	3KIT4135
Electric junction box	1CSSDSAREL
Cooling element	3RNAP680E
Electric fan	1VNA4D500DV
Frame	3CNAP680EB.1



CORRECTION FACTOR

cSt	22	30	46	68	100	150	220
f	0,6	1	1,5	2,3	3,5	5	7

Dimensions and technical characteristics are not binding



OIL FLOW	CAPACITY	VOLTAGE	FREQUENCY	POWER	CURRENT	AIR FLOW	PROTECTION	NOISE LEVEL	WEIGHT	Ø FAN
l/min	l	V	hz	W	A	m³/h	IP	dB(A)	kg	mm
100-300	15	230/400	50	690	2,34	6.300	54	72	62	500
100-300	15	277/480	60	1050	2,72	8.800	54	75	62	500

AP 2/730 EB

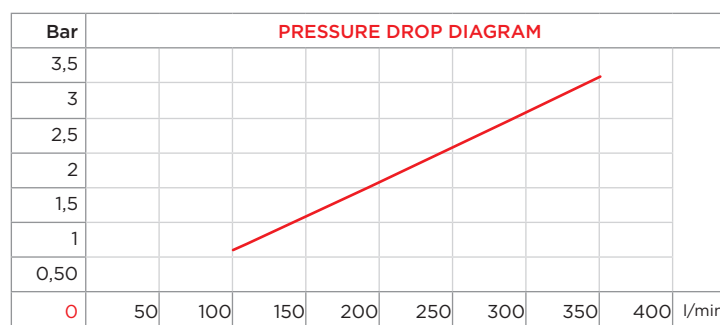
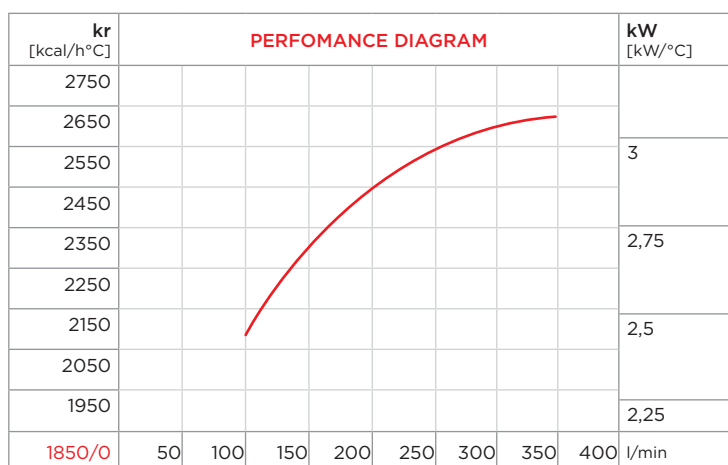


PURCHASE CODES

AP 2/730 EB three-phase **3RAP2/730EB**

SPARE PARTS

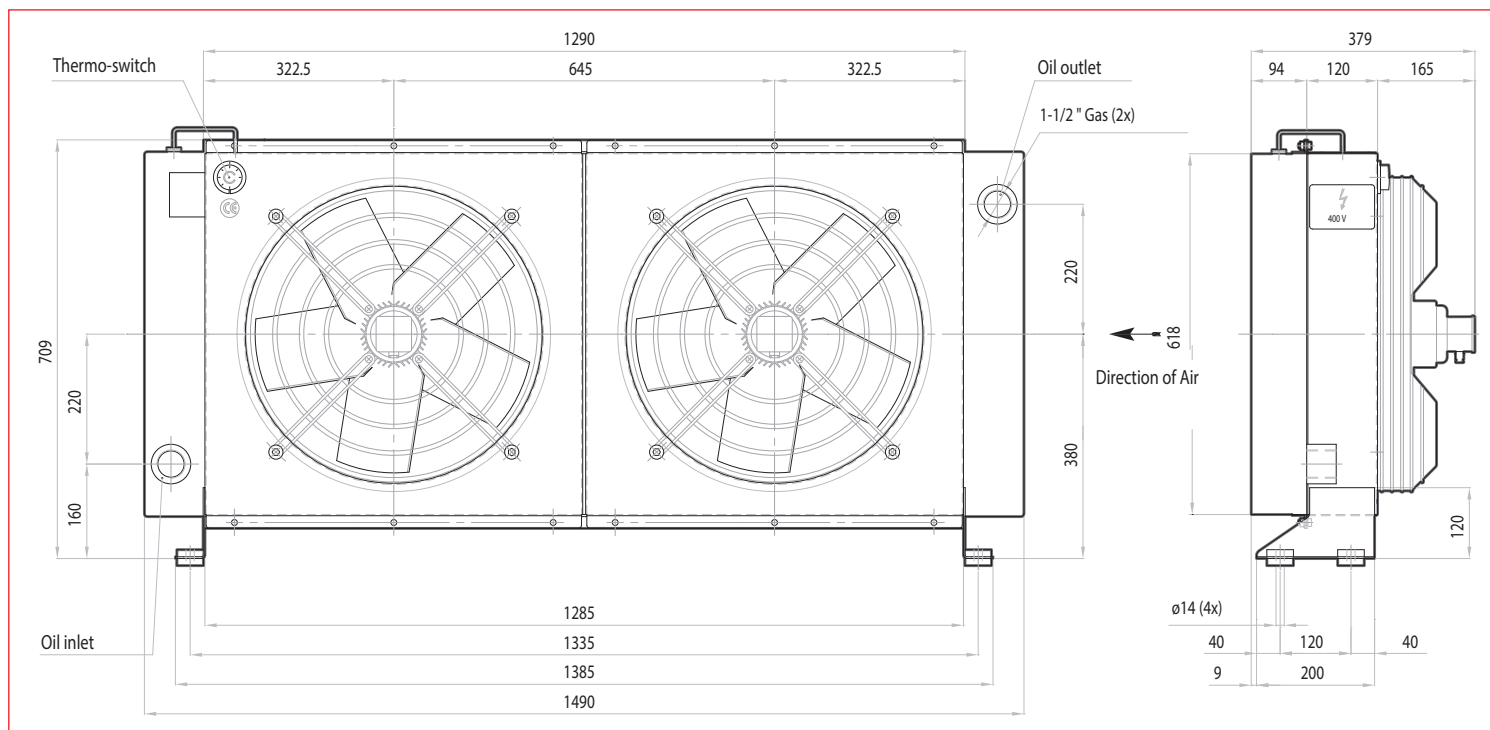
Thermo-switch	1TRMO-90
Shock isolating mounting (4 pcs)	3KIT4232
Electric junction box	1CSSDSAREL
Cooling element	1RO02357
Electric fan	1VNA4D500DV
Frame	3CNAP2/730EB.1



CORRECTION FACTOR

cSt	22	30	46	68	100	150	220
f	0,6	1	1,5	2,3	3,5	5	7

- Dimensions and technical characteristics are not binding



OIL FLOW	CAPACITY	VOLTAGE	FREQUENCY	POWER	CURRENT	AIR FLOW	PROTECTION	NOISE LEVEL	WEIGHT	Ø FAN
l/min	l	V	hz	W	A	m³/h	IP	dB(A)	kg	mm
100-350	30	230/400	50	2x 690	2x 2,34	2x 6.300	54	75	140	500
100-350	30	277/480	60	2x 1050	2x 2,72	2x 8.800	54	77	140	500

AP 830 EB

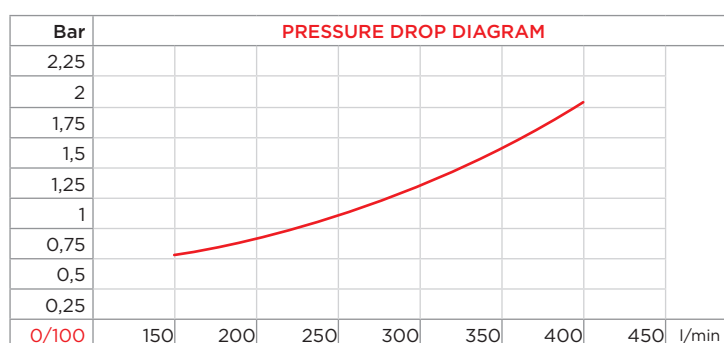
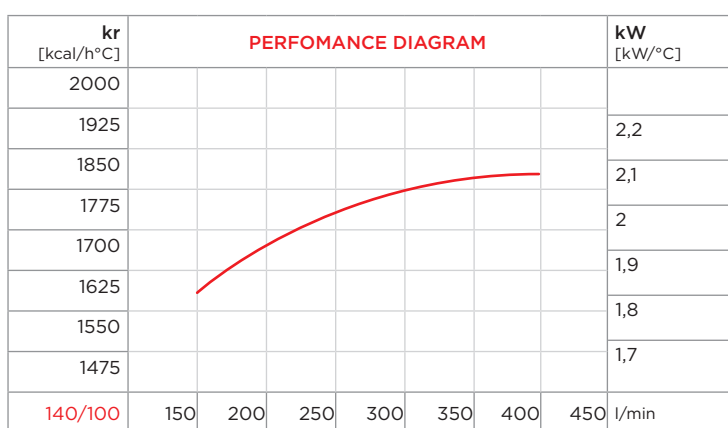


PURCHASE CODES

AP 830 EB three-phase	3RAP830EB
-----------------------	------------------

SPARE PARTS

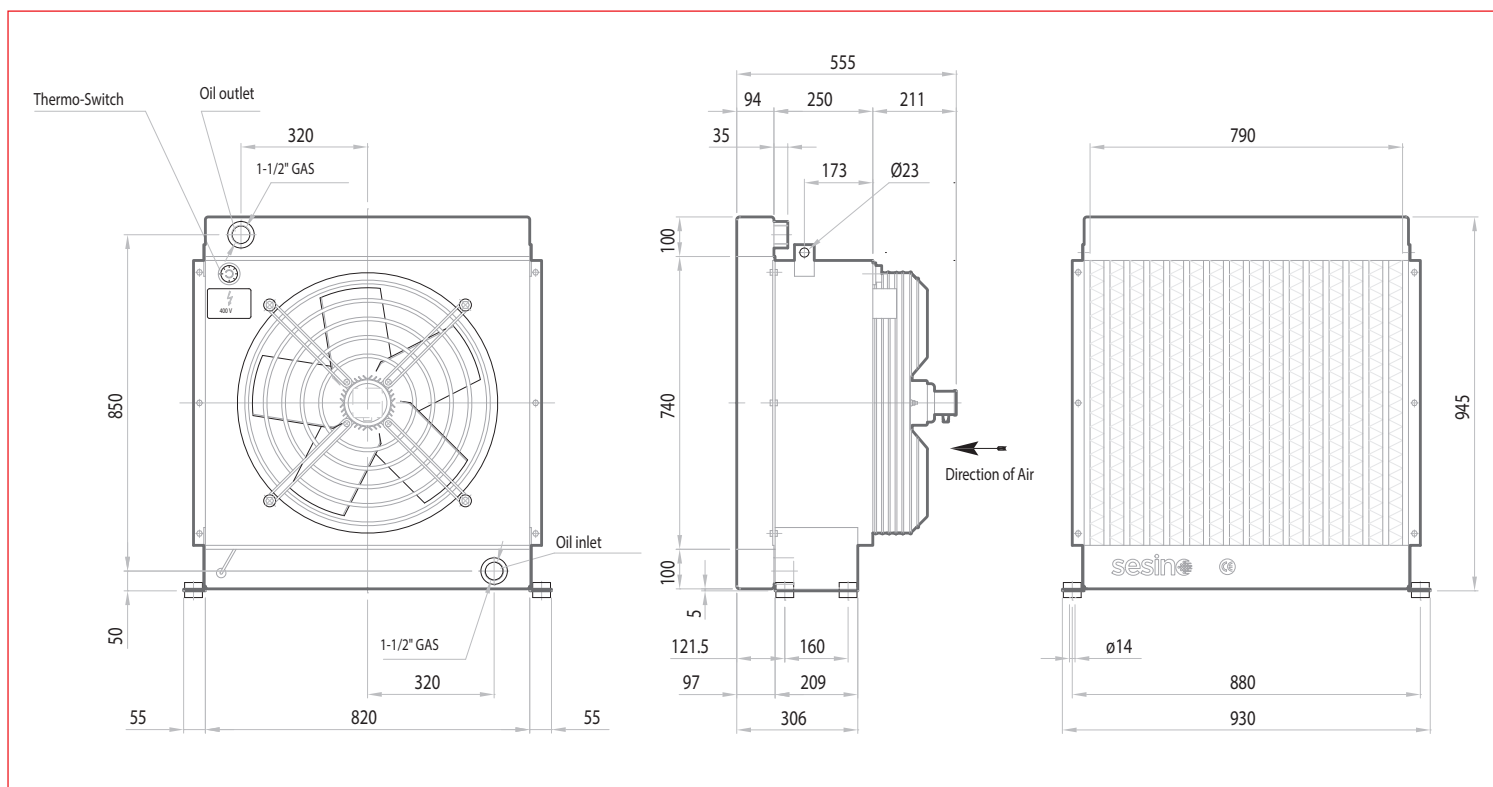
Adjustable thermo-switch	1TRM0-90
Shock isolating mounting (4 pcs)	3KIT4232
Electric junction box	1CSSDSAREL
Cooling element	3RNAP830E
Electric fan	1VNA4D560DV
Frame	3CNAP830EB.1



CORRECTION FACTOR

cSt	22	30	46	68	100	150	220
f	0,6	1	1,5	2,3	3,5	5	7

- Dimensions and technical characteristics are not binding



OIL FLOW	CAPACITY	VOLTAGE	FREQUENCY	POWER	CURRENT	AIR FLOW	PROTECTION	NOISE LEVEL	WEIGHT	Ø FAN
l/min	l	V	hz	W	A	m³/h	IP	dB(A)	kg	mm
150-400	20	400	50	810	1,54	9.500	54	73	83	560
150-400	20	480	60	1300	1,94	11.500	54	75	83	560

AP 2/680 EB

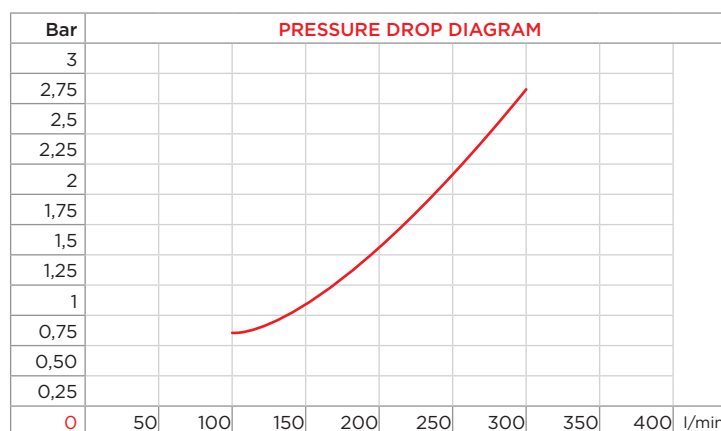
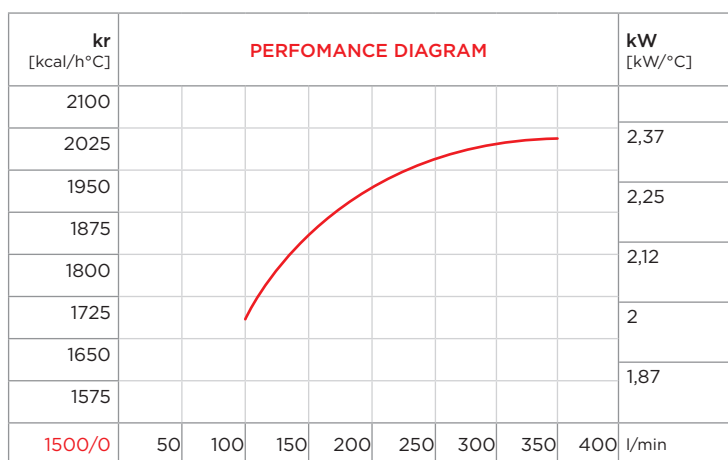


PURCHASE CODES

AP 2/680 EB three-phase **3RAP2/680EB**

SPARE PARTS

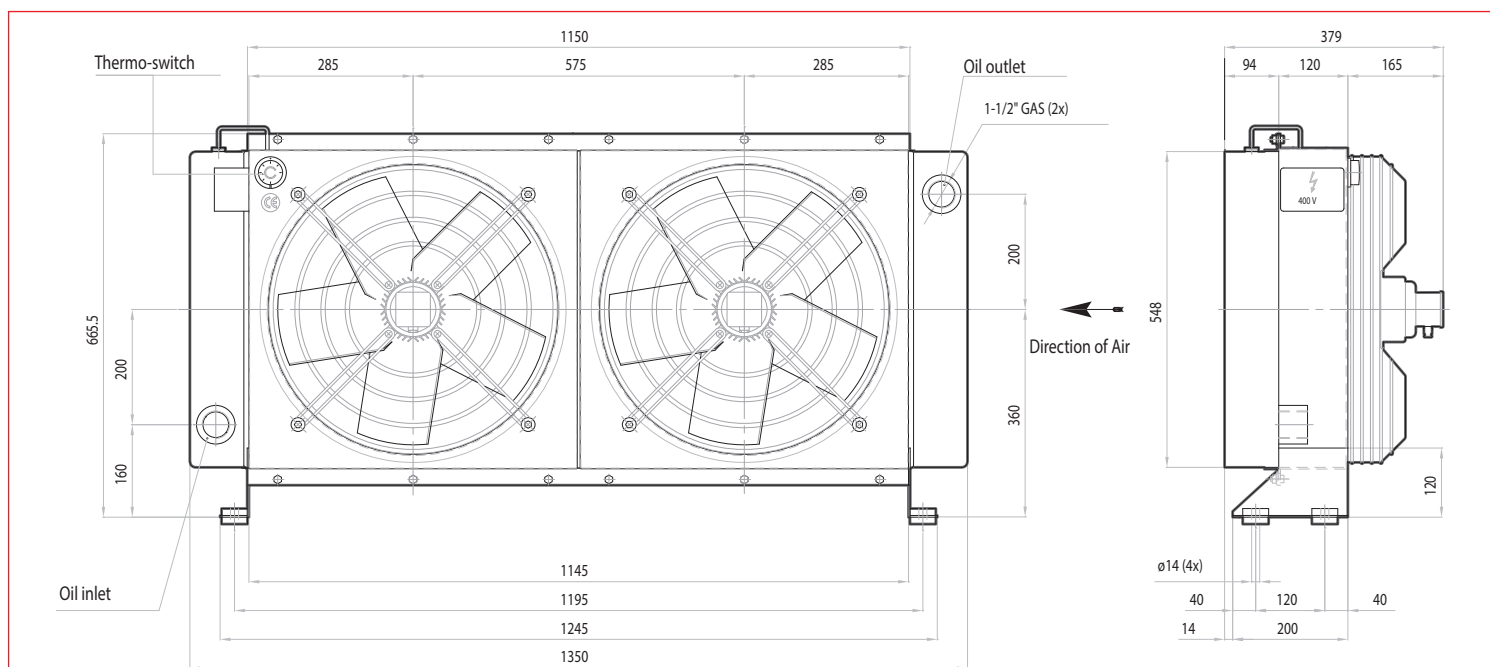
Thermo-switch	1TRMO-90
Shock isolating mounting (4 pcs)	3KIT4232
Electric junction box	1CSSDSAREL
Cooling element	1RO01339
Electric fan	1VNA4D500DV
Frame	3CNAP2/680EB.1



CORRECTION FACTOR

cSt	22	30	46	68	100	150	220
f	0,6	1	1,5	2,3	3,5	5	7

- Dimensions and technical characteristics are not binding



OIL FLOW	CAPACITY	VOLTAGE	FREQUENCY	POWER	CURRENT	AIR FLOW	PROTECTION	NOISE LEVEL	WEIGHT	Ø FAN
l/min	l	V	hz	W	A	m³/h	IP	dB(A)	kg	mm
100-300	28	230/400	50	2x 690	2x 2,34	2x 6.300	54	75	120	500
100-300	28	277/480	60	2x 1050	2x 2,72	2x 8.800	54	77	120	500

AP 2/730 EB

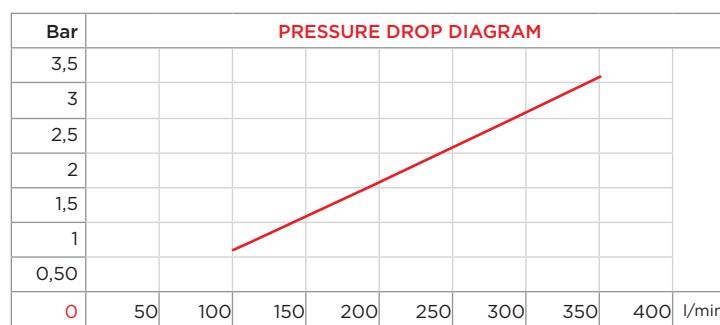
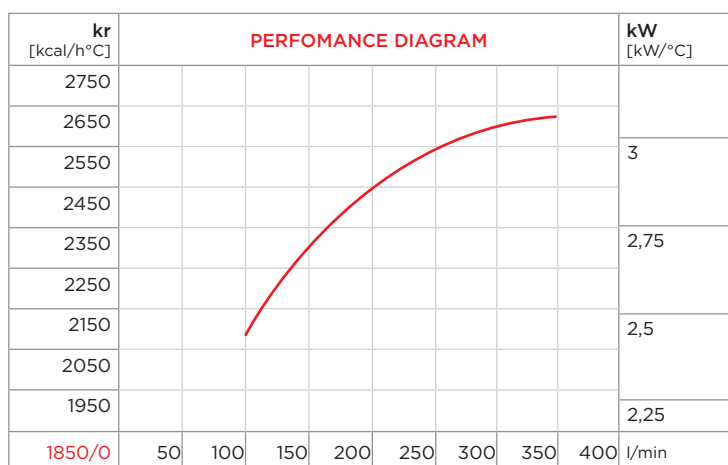


PURCHASE CODES

AP 2/730 EB three-phase **3RAP2/730EB**

SPARE PARTS

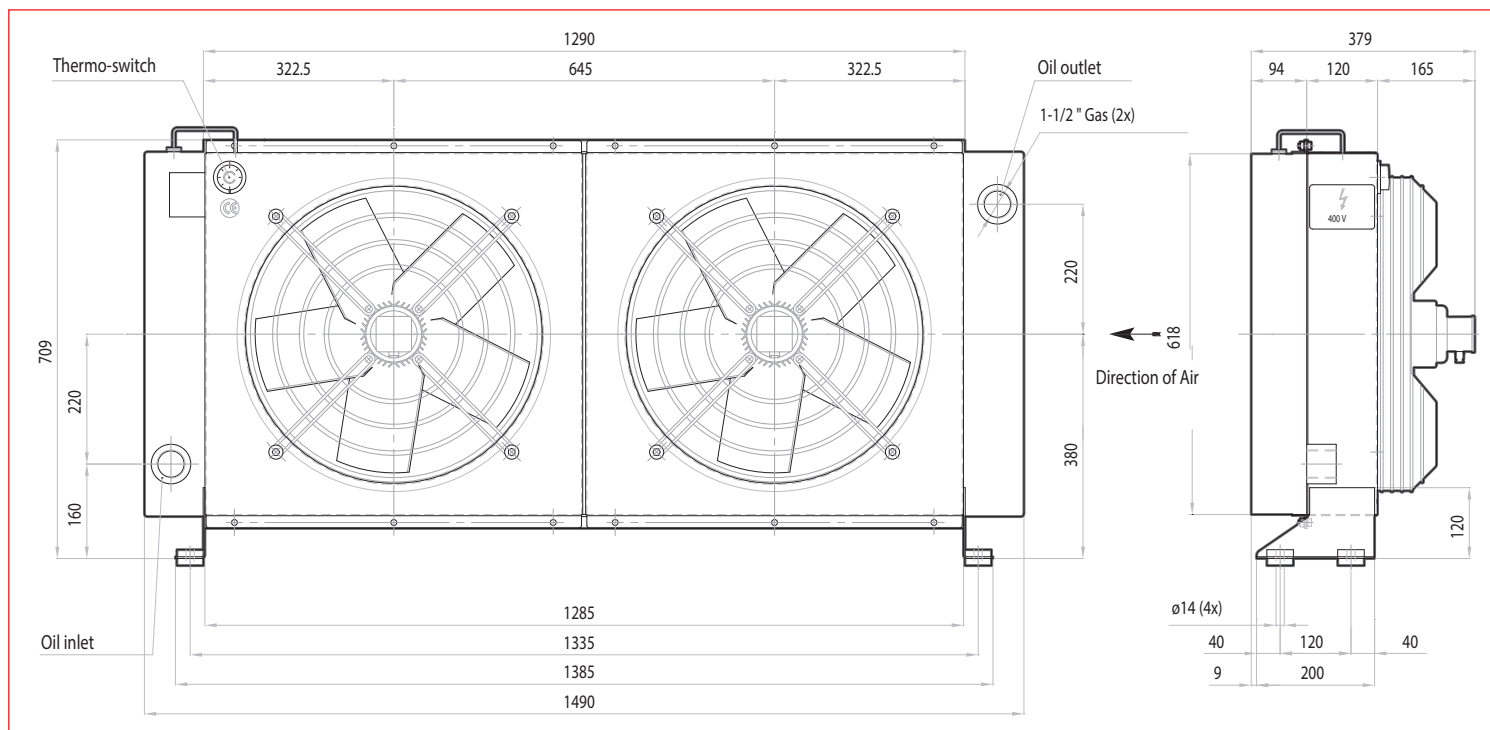
Thermo-switch	1TRMO-90
Shock isolating mounting (4 pcs)	3KIT4232
Electric junction box	1CSSDSAREL
Cooling element	1RO02357
Electric fan	1VNA4D500DV
Frame	3CNAP2/730EB.1



CORRECTION FACTOR

cSt	22	30	46	68	100	150	220
f	0,6	1	1,5	2,3	3,5	5	7

- Dimensions and technical characteristics are not binding



OIL FLOW	CAPACITY	VOLTAGE	FREQUENCY	POWER	CURRENT	AIR FLOW	PROTECTION	NOISE LEVEL	WEIGHT	Ø FAN
l/min	l	V	hz	W	A	m³/h	IP	dB(A)	kg	mm
100-350	30	230/400	50	2x 690	2x 2,34	2x 6.300	54	75	140	500
100-350	30	277/480	60	2x 1050	2x 2,72	2x 8.800	54	77	140	500

AP 2/830 EB

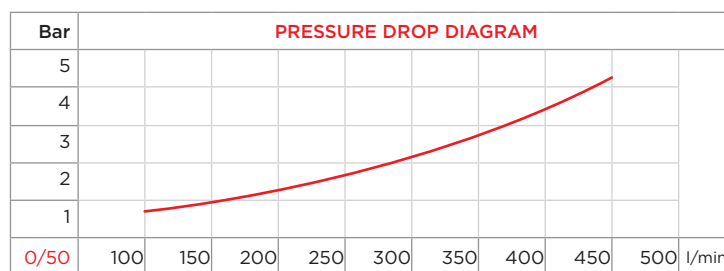
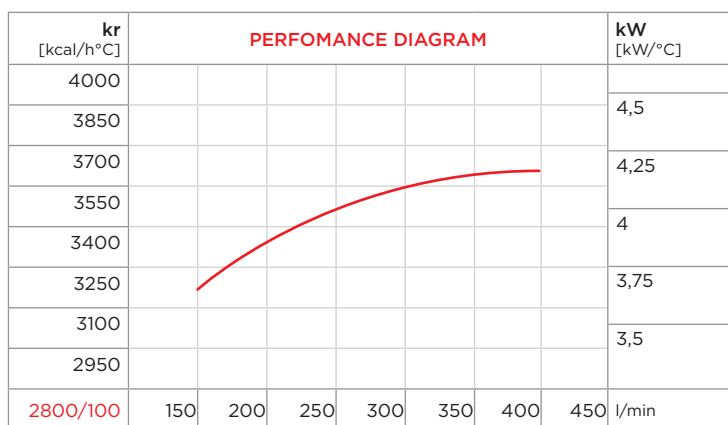


PURCHASE CODES

AP 2/830 EB three-phase **3REO91247**

SPARE PARTS

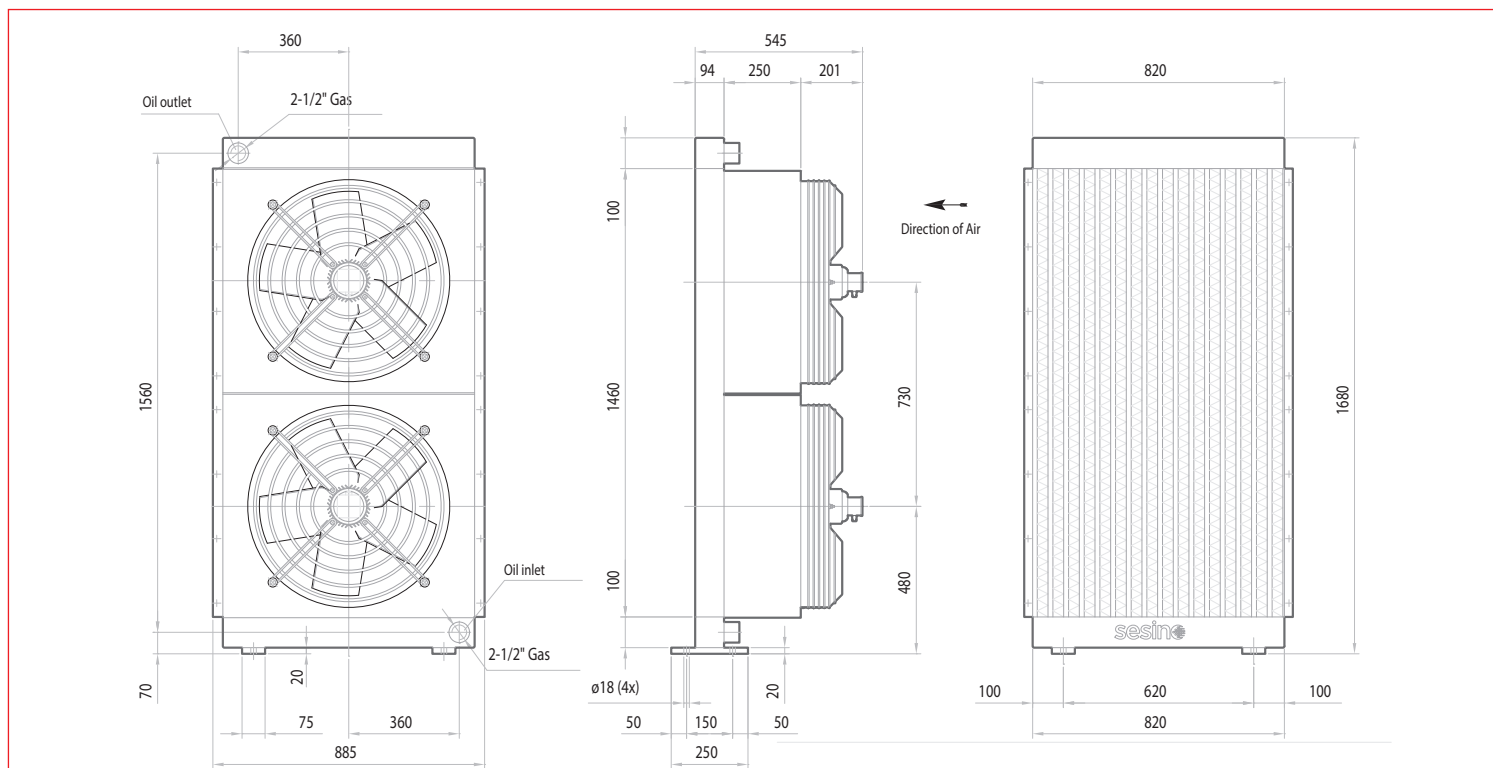
Frame	3CNE091247.1
Cooling element	3RNE091247
Electric fan for 3REO91247	1VNA4D560DV



CORRECTION FACTOR

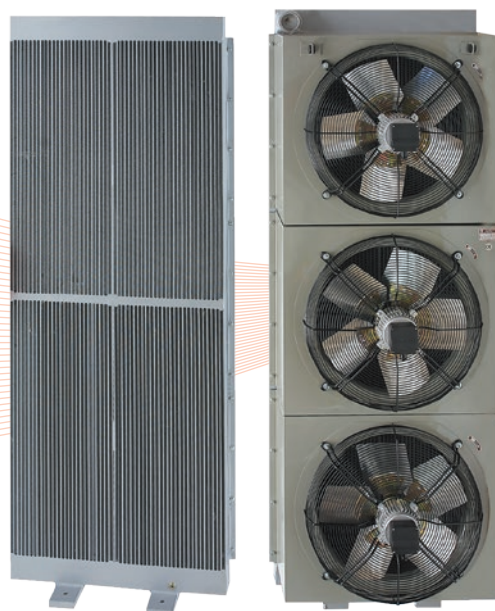
cSt	22	30	46	68	100	150	220
f	0,6	1	1,5	2,3	3,5	5	7

- Dimensions and technical characteristics are not binding



OIL FLOW	CAPACITY	VOLTAGE	FREQUENCY	POWER	CURRENT	AIR FLOW	PROTECTION	NOISE LEVEL	WEIGHT	Ø FAN
l/min	l	V	hz	W	A	m³/h	IP	dB(A)	kg	mm
150-400	40	400	50	2x 810	2x 1,54	2x 9.500	54	73	180	560
150-400	40	480	60	2x 1300	2x 1,94	2x 11.500	54	75	180	560

AP 3/830 EB

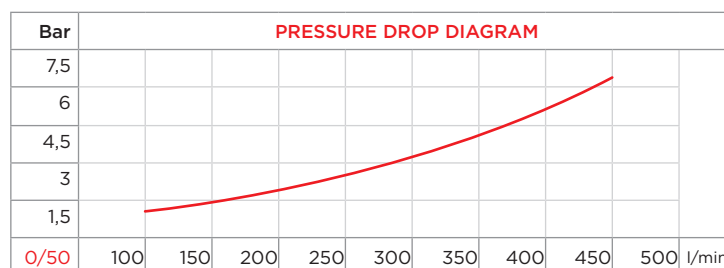
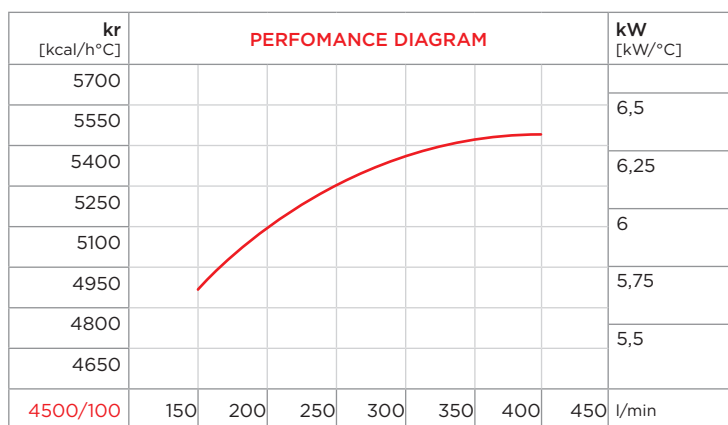


PURCHASE CODES

AP 3/830 EB three-phase **3RE091278**

SPARE PARTS

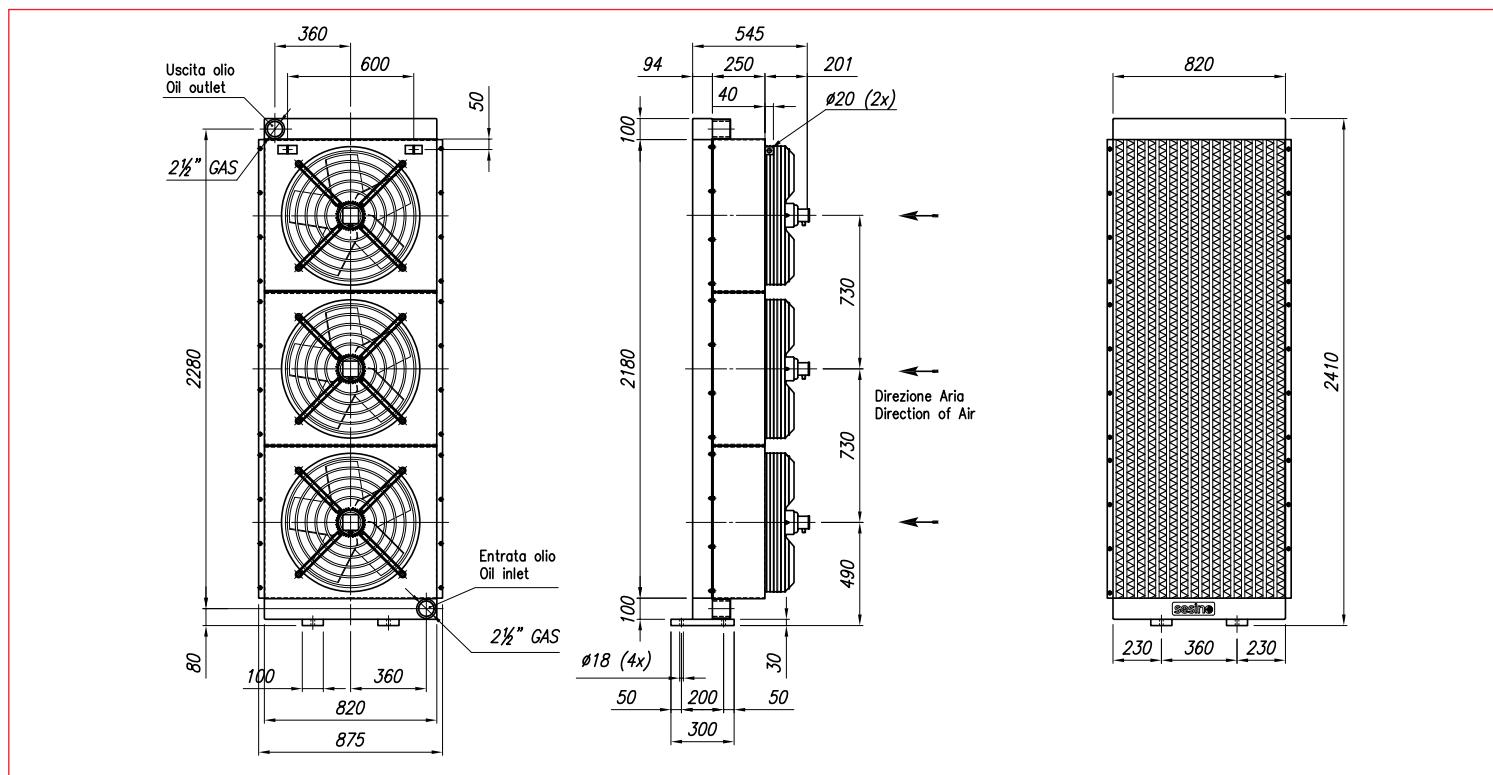
Frame	3CNE091247.1 3CNE091278.1
Cooling element	3RNE091278
Electric fan	1VNA4D560DV



CORRECTION FACTOR

cSt	22	30	46	68	100	150	220
f	0,6	1	1,5	2,3	3,5	5	7

- Dimensions and technical characteristics are not binding



OIL FLOW	CAPACITY	VOLTAGE	FREQUENCY	POWER	CURRENT	AIR FLOW	PROTECTION	NOISE LEVEL	WEIGHT	Ø FAN
l/min	l	V	hz	W	A	m³/h	IP	dB(A)	kg	mm
150-400	60	400	50	3x 810	3x 1,54	3x 9.500	54	78	260	560
150-400	60	480	60	3x 1300	3x 1,94	3x 11.500	54	78	260	560

AP 1200 EB

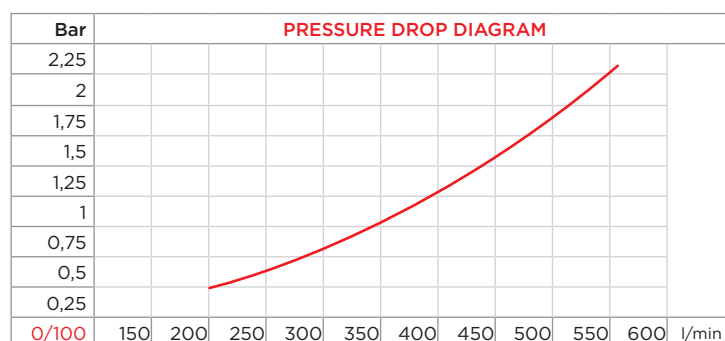
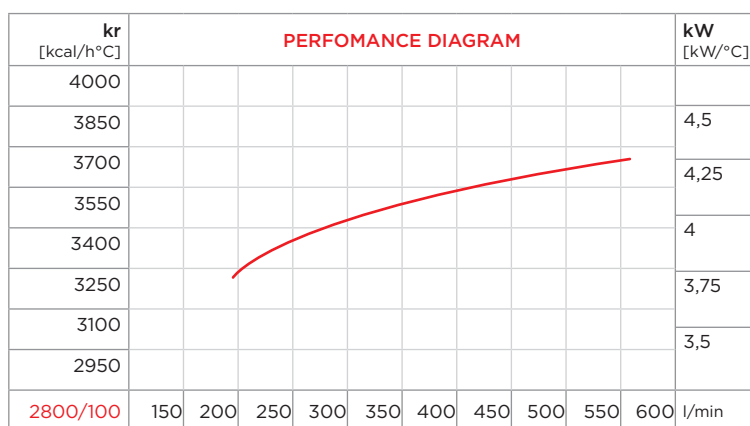


PURCHASE CODES

AP 1200 EB three-phase **3RAP1200EB**

SPARE PARTS

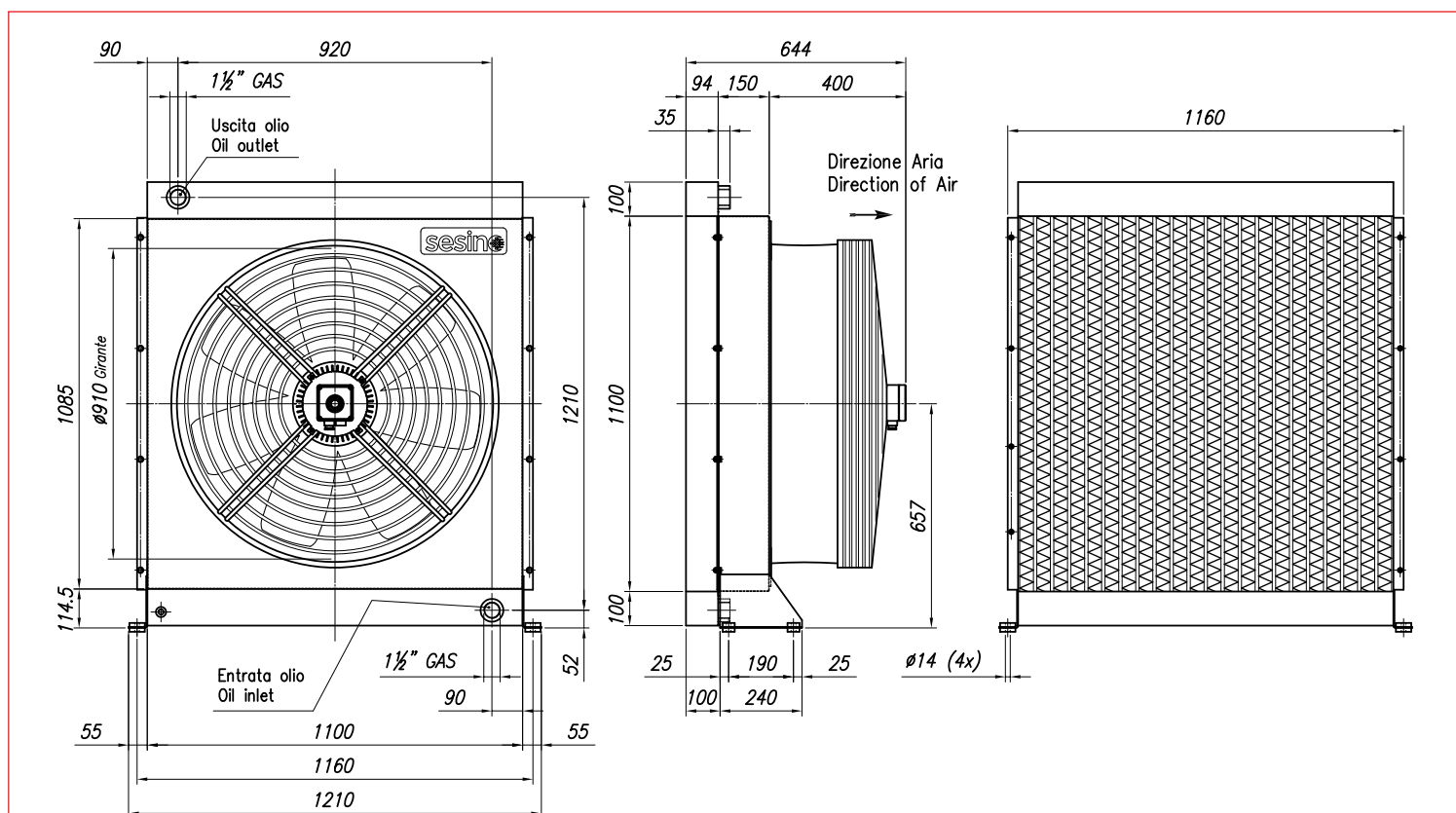
Frame	3CNEO08586.1
Shock isolating mounting (4 pcs)	3KIT4232
Cooling element	1RO08423
Electric fan	1VNEO08586



CORRECTION FACTOR

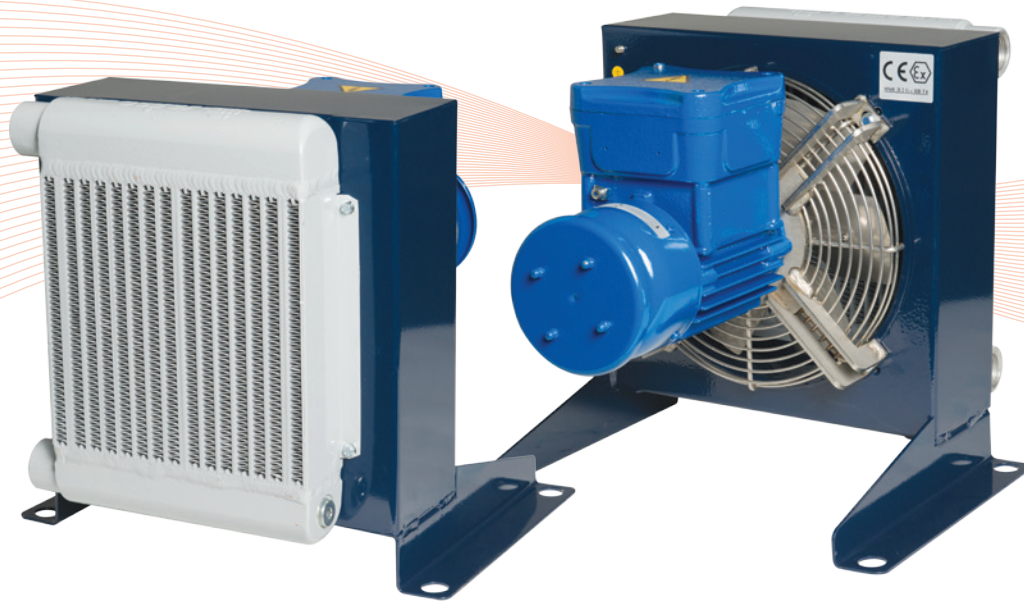
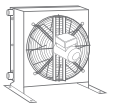
cSt	22	30	46	68	100	150	220
f	0,6	1	1,5	2,3	3,5	5	7

- Dimensions and technical characteristics are not binding



OIL FLOW	CAPACITY	VOLTAGE	FREQUENCY	POWER	CURRENT	AIR FLOW	PROTECTION	NOISE LEVEL	WEIGHT	ø FAN
l/min	l	V	hz	W	A	m³/h	IP	dB(A)	kg	mm
200-550	35	400	50	1650	4,1	14.000	54	70	135	910

AP 300 EMX

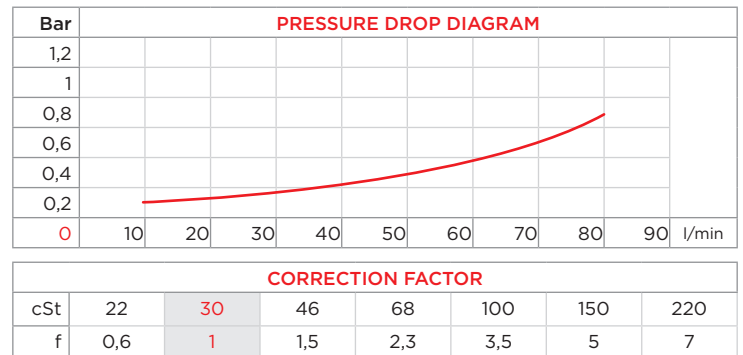
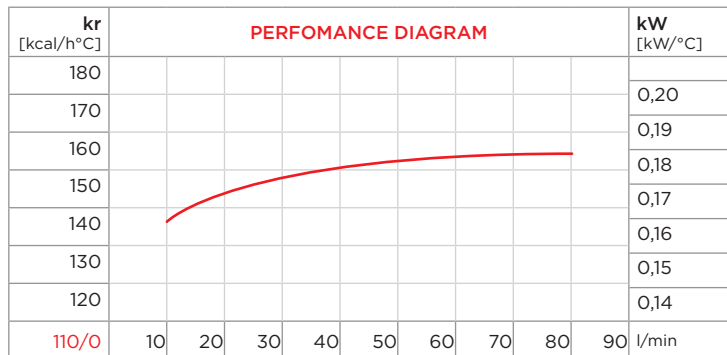


PURCHASE CODES

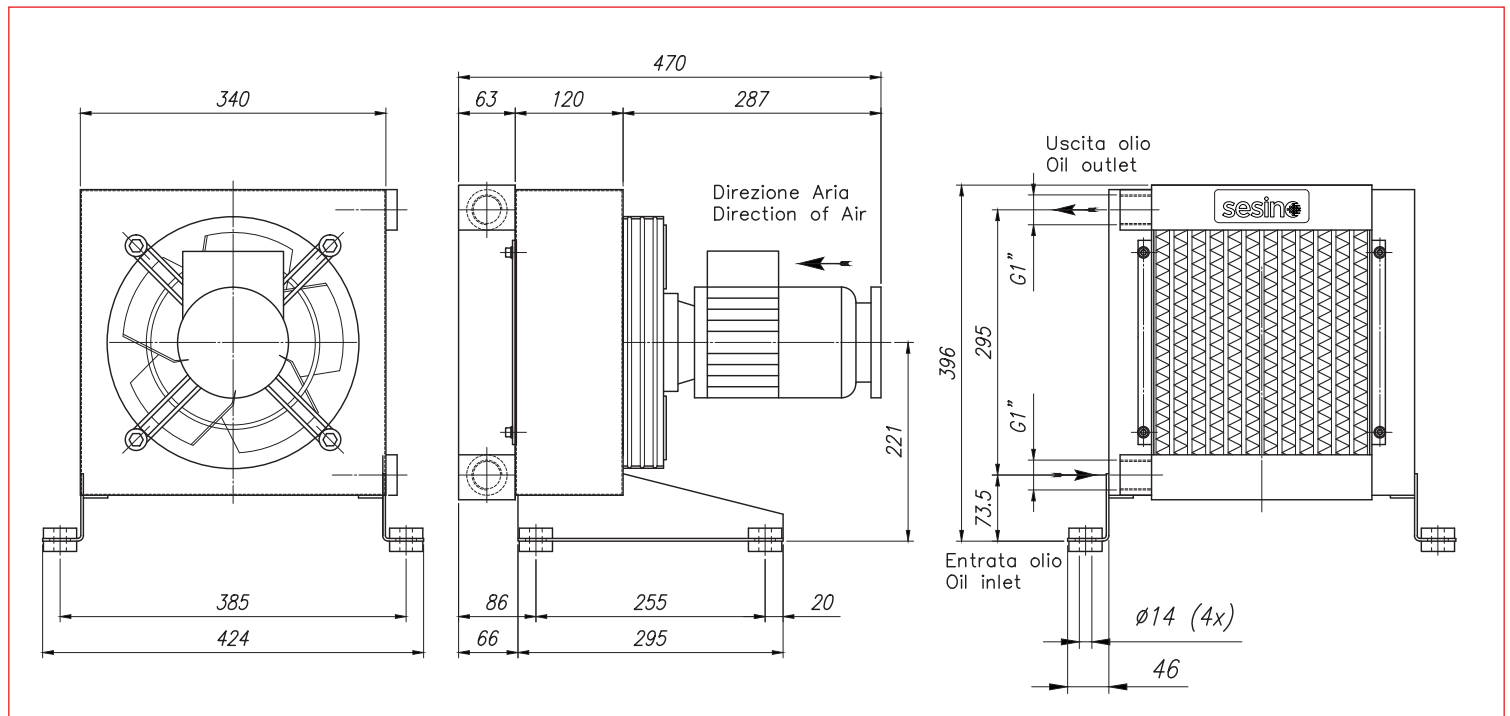
AP 300 EMX three-phase 400V 50HZ	3RAP300EMX50
AP 300 EMX three-phase 460V 60HZ	3RAP300EMX60

SPARE PARTS

Cooling element	3RNL300A
Frame	3CNAP300EMX.1
Electric fan 400V 50Hz	1VNAP300EMX50
Electric fan 460V 60Hz	1VNAP300EMX60

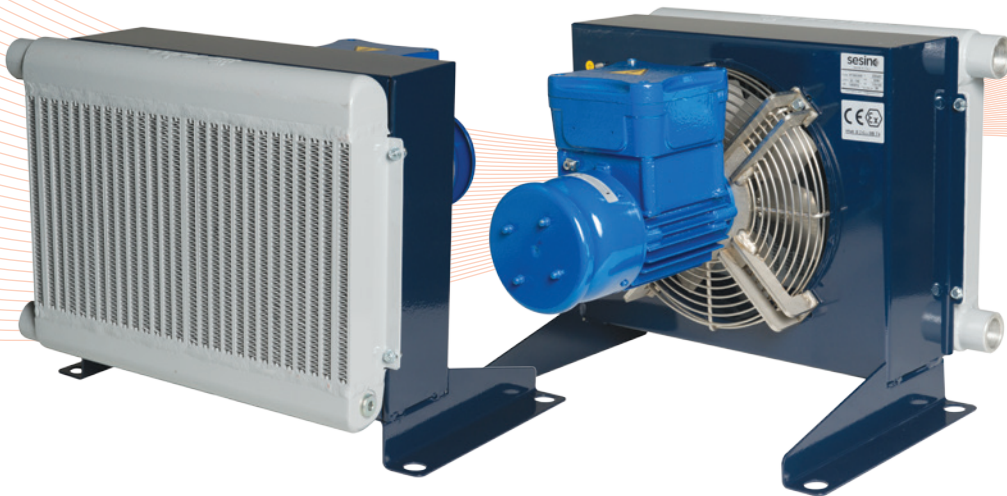
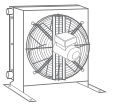


- Dimensions and technical characteristics are not binding



CODE	OIL FLOW	CAPACITY	VOLT.	FREQ.	POWER	CURRENT	AIR FLOW	PROTECTION	NOISE LEV.	WEIGHT	Ø FAN	TEMP.
	l/min	l	V	Hz	W	A	m³/h	IP	dB(A)	kg	mm	°C
3RAP300EMX50	10-80	2	400	50	180	0,75	1500	56	81	30	250	-20/+40
3RAP300EMX60	10-80	2	460	60	180	0,65	1580	56	83	30	250	-20/+40

AP 300 2/EMX

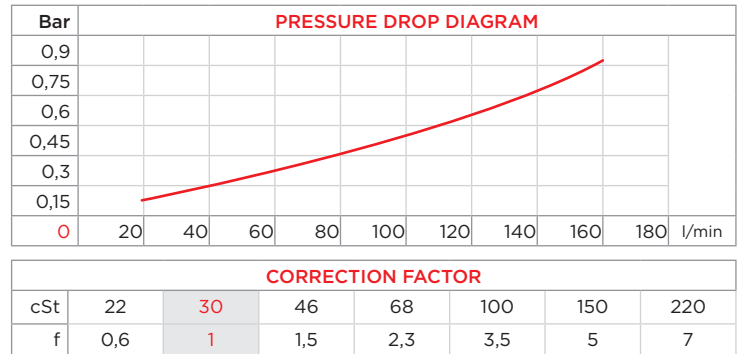
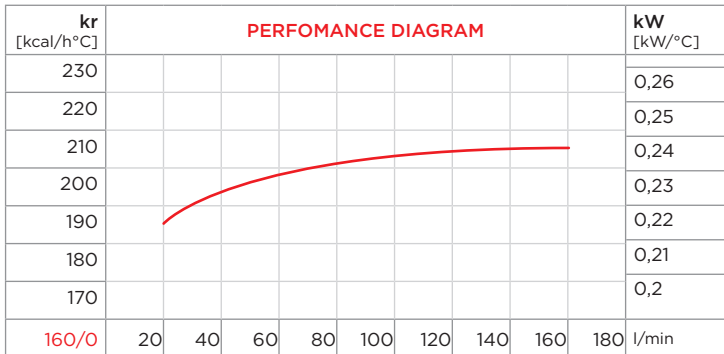


PURCHASE CODES

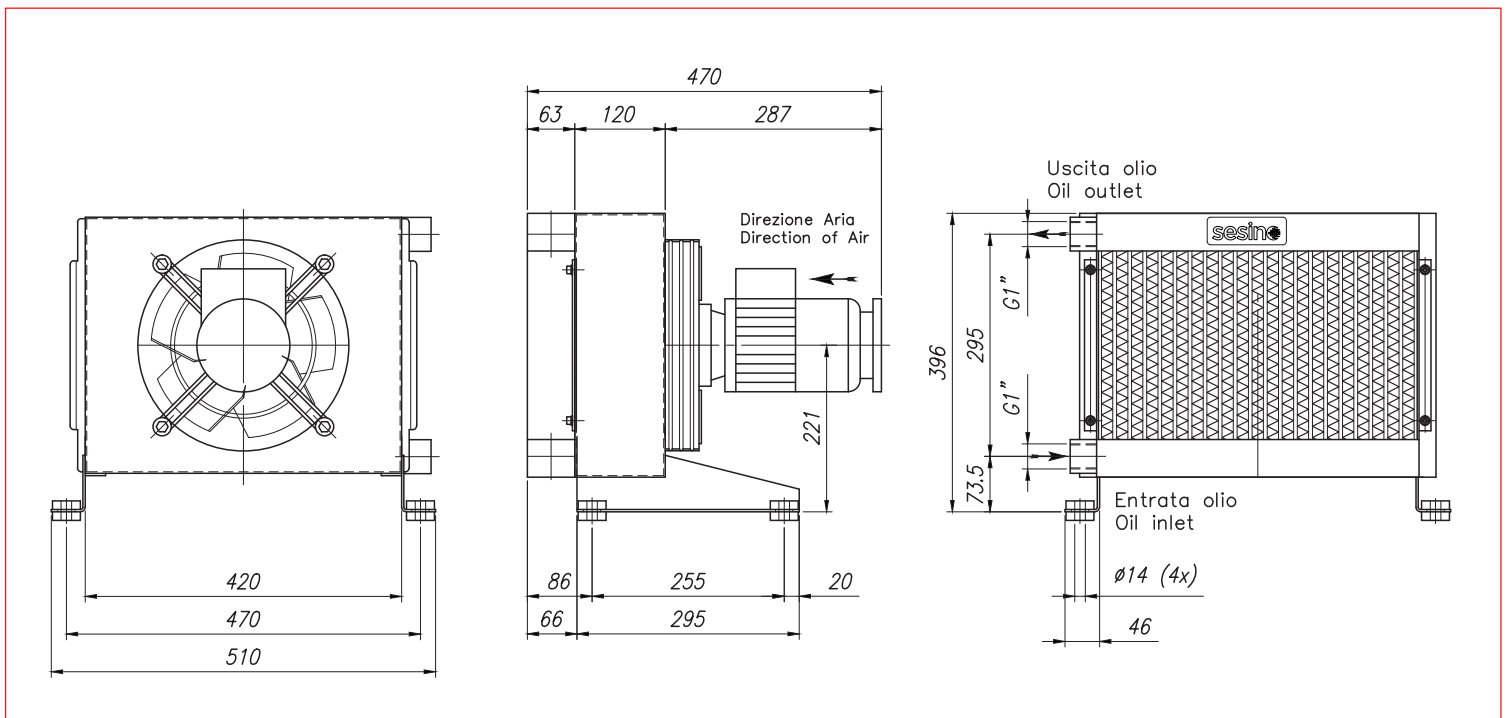
AP 300/2 EMX three-phase 400V 50HZ	3RAP302EMX50
AP 300/2 EMX three-phase 460V 60HZ	3RAP302EMX60

SPARE PARTS

Cooling element	3RNL302A
Frame	3CNAP302EMX.1
Electric fan 400V 50Hz	1VNAP300EMX50
Electric fan 460V 60Hz	1VNAP300EMX60

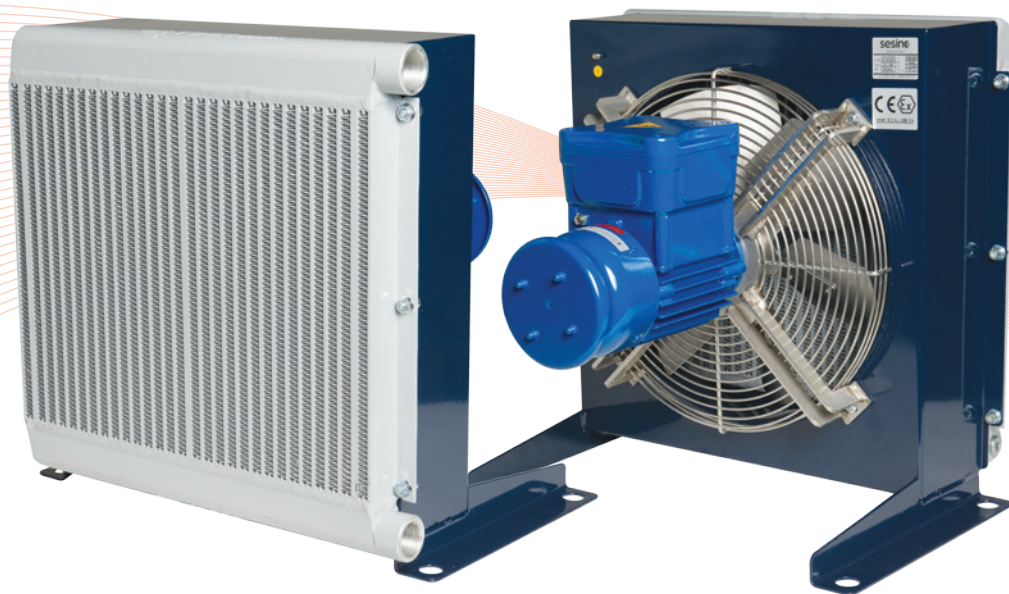
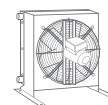


- Dimensions and technical characteristics are not binding



CODE	OIL FLOW l/min	CAPACITY l	VOLT. V	FREQ. Hz	POWER W	CURRENT A	AIR FLOW m³/h	PROTECTION IP	NOISE LEV. dB(A)	WEIGHT kg	Ø FAN mm	TEMP. °C
3RAP302EMX50	20-160	3,6	400	50	180	0,75	1700	56	80	35	250	-20/+40
3RAP302EMX60	20-160	2	460	60	180	0,65	1800	56	82	35	250	-20/+40

AP 430 EMX

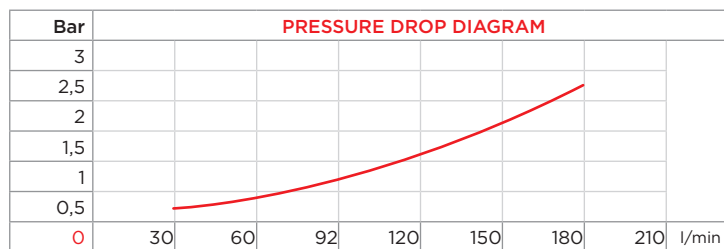
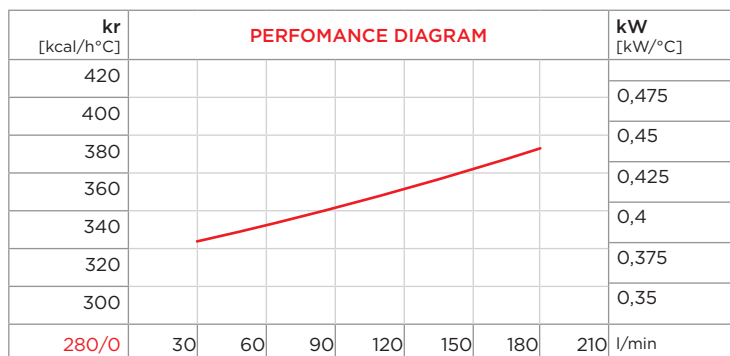


PURCHASE CODES

AP 430 EMX three-phase 400V 50Hz	3RAP430EMX50
AP 430 EMX three-phase 460V 60Hz	3RAP430EMX60

SPARE PARTS

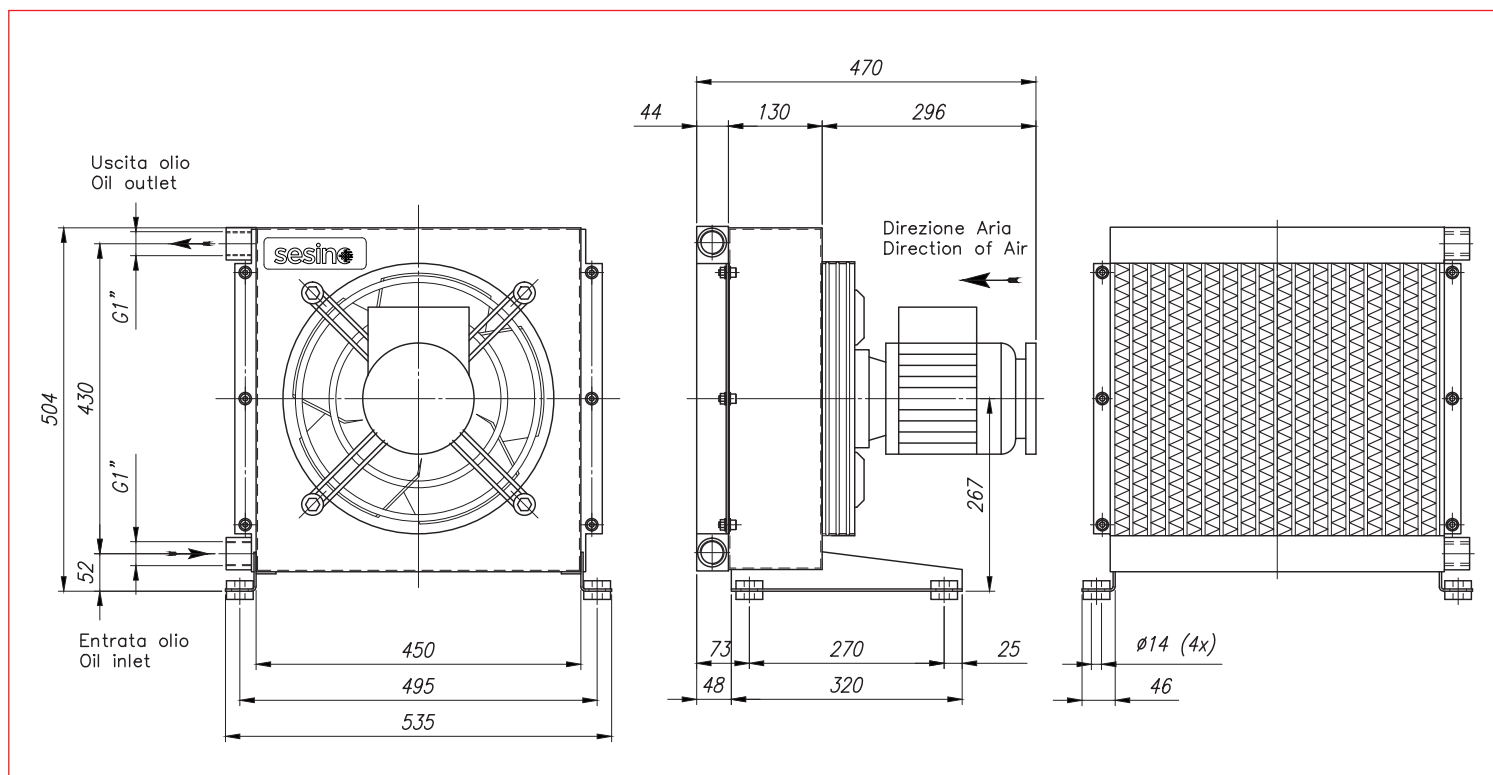
Cooling element	3RNL430A
Frame	3CNAP430EMX.1
Electric fan 400V 50Hz	1VNAP430EMX50
Electric fan 460V 60Hz	1VNAP430EMX60



CORRECTION FACTOR

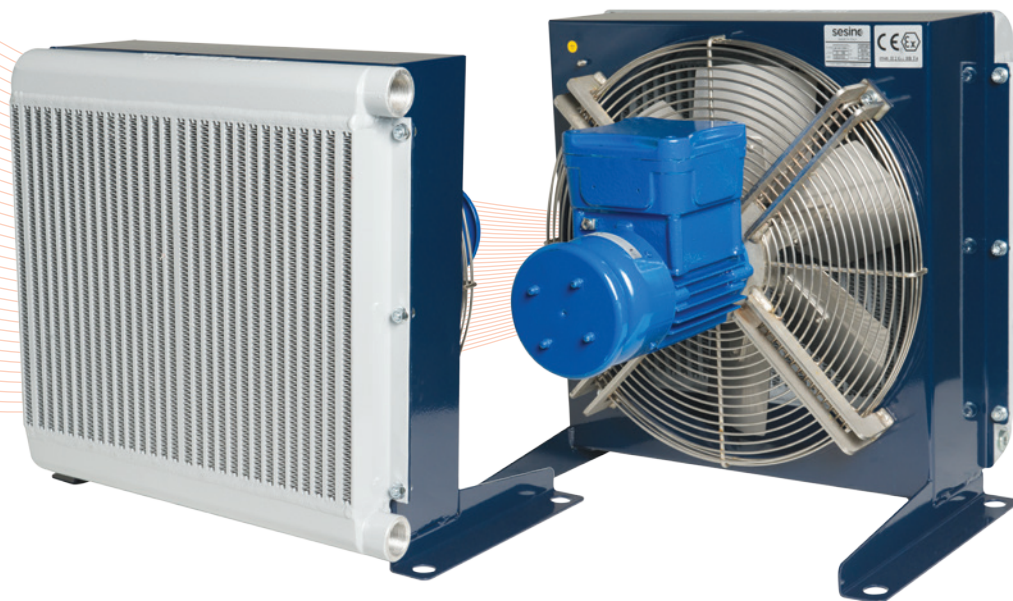
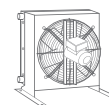
cSt	22	30	46	68	100	150	220
f	0,6	1	1,5	2,3	3,5	5	7

- Dimensions and technical characteristics are not binding



CODE	OIL FLOW l/min	CAPACITY l	VOLT. V	FREQ. Hz	POWER W	CURRENT A	AIR FLOW m ³ /h	PROTECTION IP	NOISE LEV. dB(A)	WEIGHT kg	Ø FAN mm	TEMP. °C
3RAP430EMX50	30-180	3,6	400	50	120	0,62	2600	56	81	38	350	-20/+40
3RAP430EMX60	30-180	3,6	460	60	170	0,54	2800	56	83	38	350	-20/+40

AP 430 2/EMX

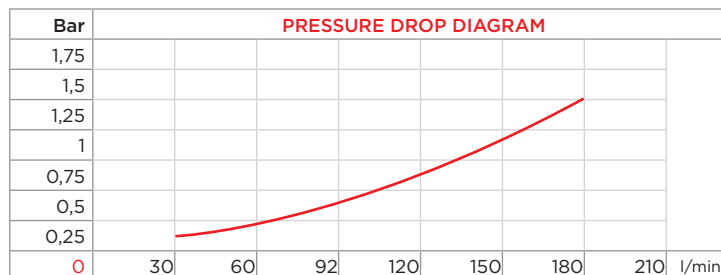
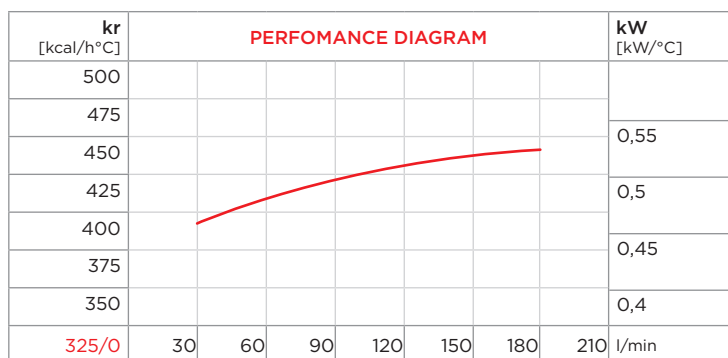


PURCHASE CODES

AP 430/2 EMX three-phase 400V 50HZ	3RAP432EMX50
AP 430/2 EMX three-phase 460V 60HZ	3RAP432EMX60

SPARE PARTS

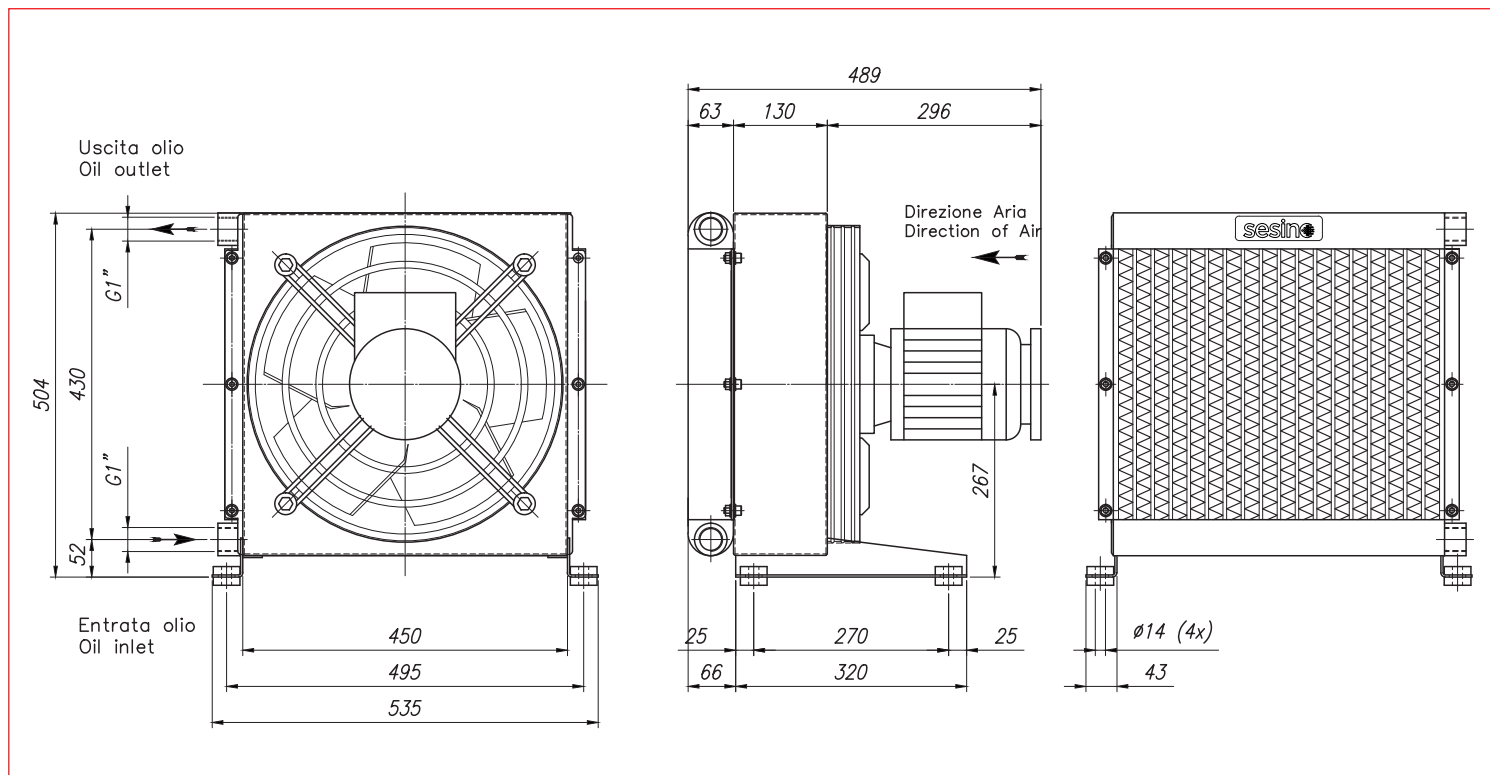
Cooling element	3RNL432A
Frame	3CNAP432EMX.1
Electric fan 400V 50Hz	1VNAP432EMX50
Electric fan 460V 60Hz	1VNAP432EMX60



CORRECTION FACTOR

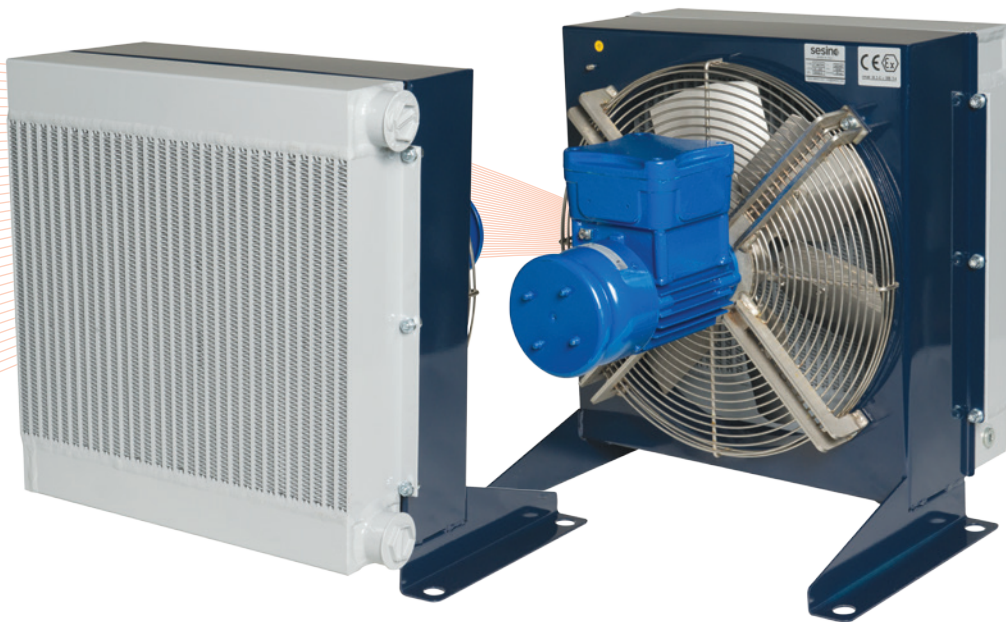
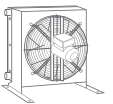
cSt	22	30	46	68	100	150	220
f	0,6	1	1,5	2,3	3,5	5	7

- Dimensions and technical characteristics are not binding



CODE	OIL FLOW l/min	CAPACITY l	VOLT. V	FREQ. Hz	POWER W	CURRENT A	AIR FLOW m³/h	PROTECTION IP	NOISE LEV. dB(A)	WEIGHT kg	Ø FAN mm	TEMP. °C
3RAP432EMX50	30-180	5,5	400	50	180	0,67	3500	56	79	40	400	-20/+40
3RAP432EMX60	30-180	5,5	460	60	180	0,58	3700	56	81	40	400	-20/+40

AP 494 EMX

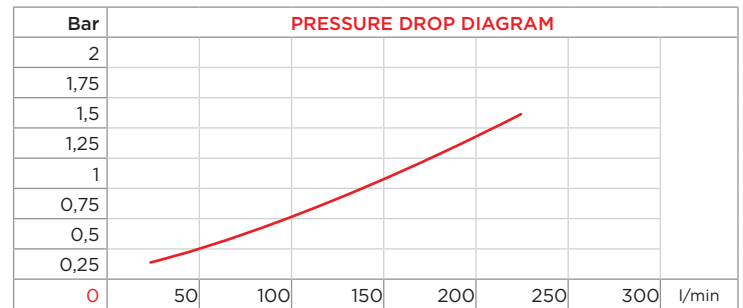
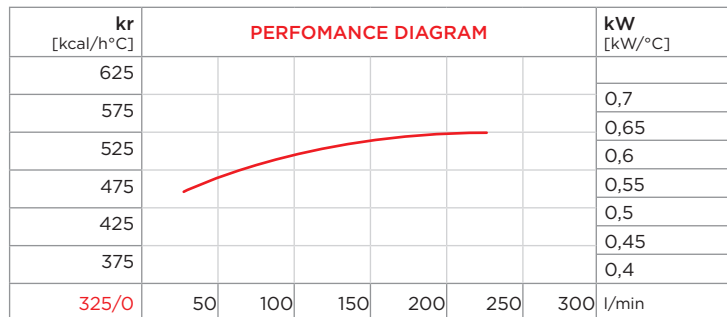


PURCHASE CODES

AP 494 EMX three-phase 400V 50Hz	3RAP494EMX50
AP 494 EMX three-phase 460V 60Hz	3RAP494EMX60

SPARE PARTS

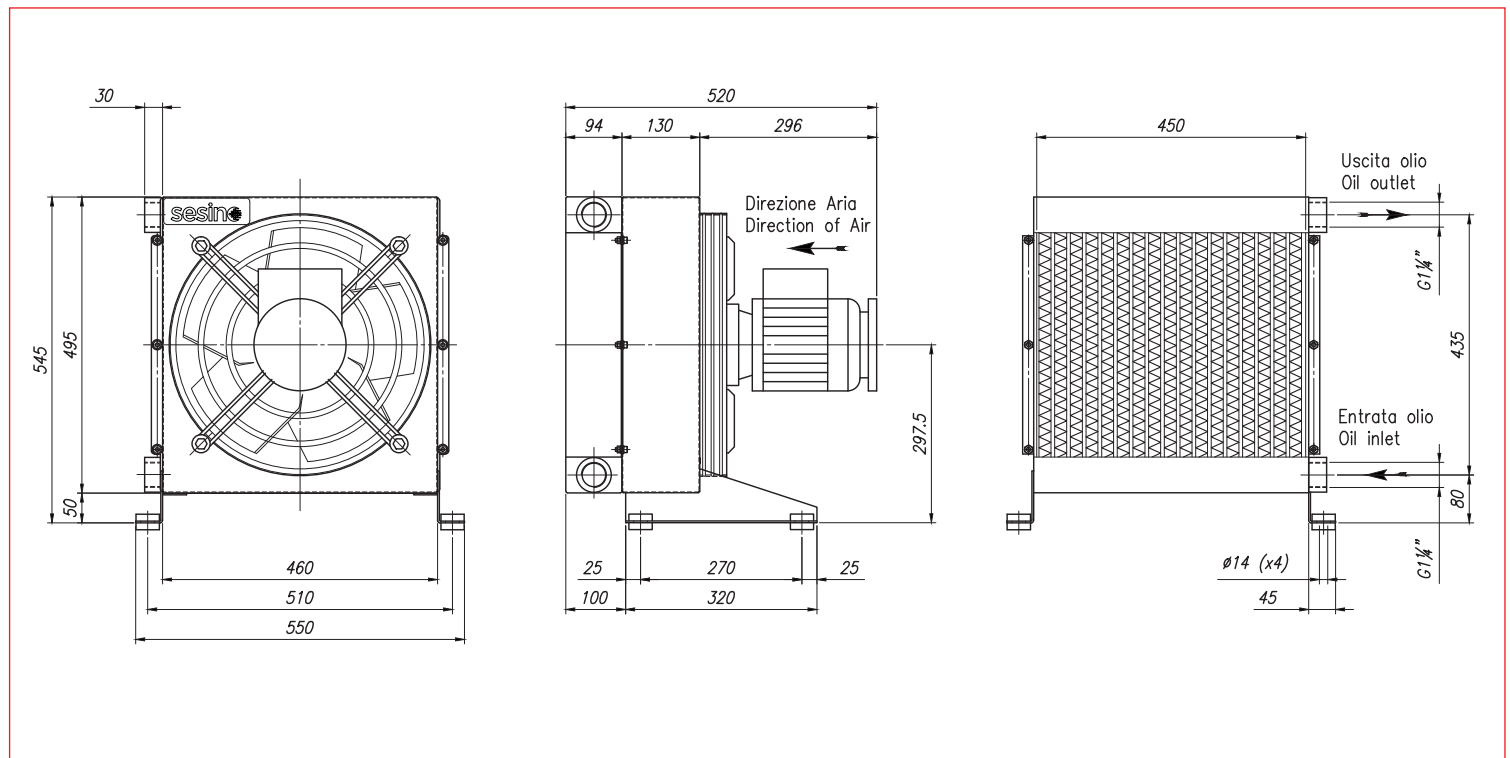
Cooling element	3RNL494A
Frame	3CNAP494EMX.1
Electric fan 400V 50Hz	1VNAP432EMX50
Electric fan 460V 60Hz	1VNAP432EMX60



CORRECTION FACTOR

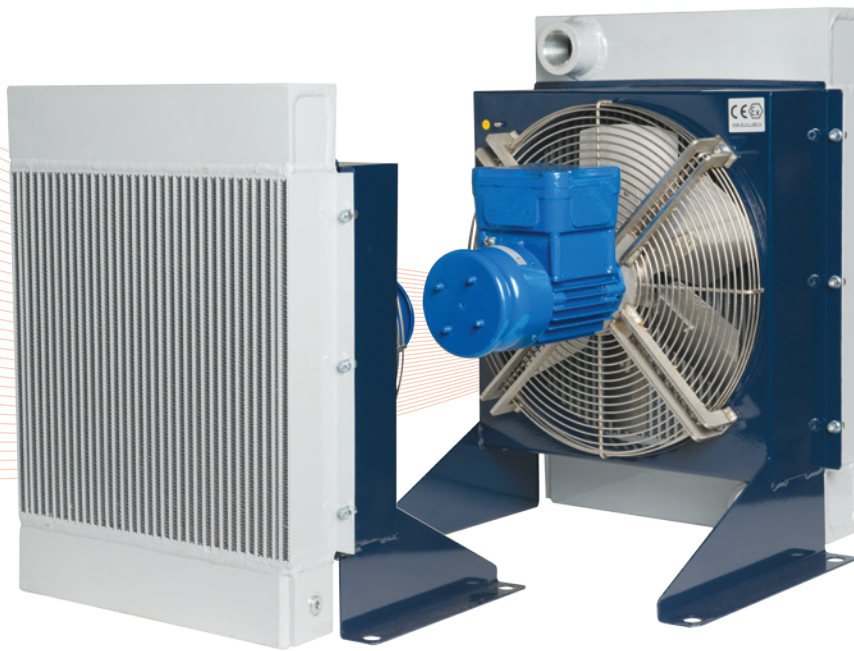
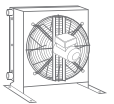
cSt	22	30	46	68	100	150	220
f	0,6	1	1,5	2,3	3,5	5	7

- Dimensions and technical characteristics are not binding



CODE	OIL FLOW l/min	CAPACITY l	VOLT. V	FREQ. Hz	POWER W	CURRENT A	AIR FLOW m³/h	PROTECTION IP	NOISE LEV. dB(A)	WEIGHT kg	Ø FAN mm	TEMP. °C
3RAP494EMX50	30-240	8	400	50	180	0,67	3300	56	80	50	400	-20/+40
3RAP494EMX60	30-240	8	460	60	180	0,59	3500	56	82	30	400	-20/+40

AP 580 EMX

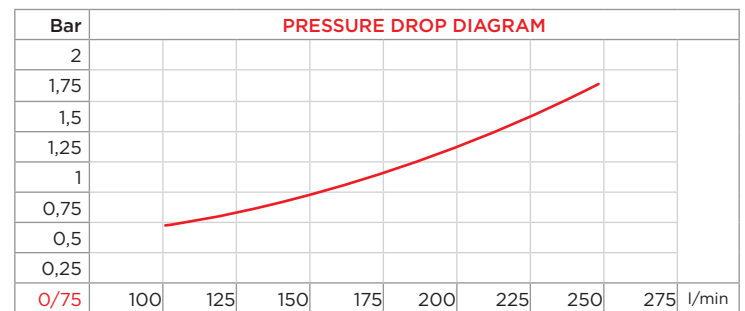
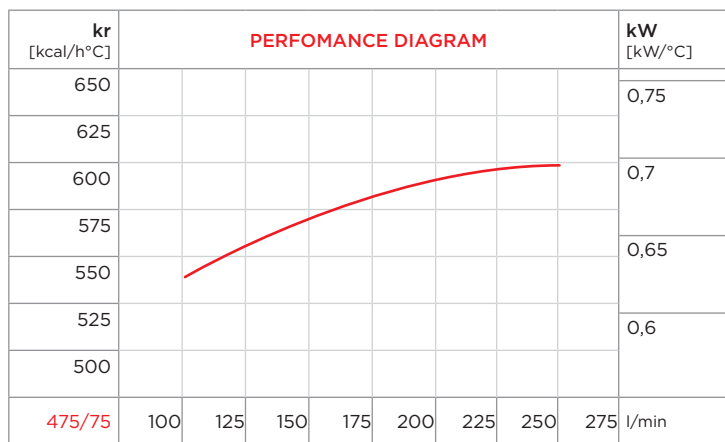


PURCHASE CODES

AP 580 EMX three-phase 400V 50Hz	3RAP580EMX50
AP 580 EMX three-phase 460V 60Hz	3RAP580EMX60

SPARE PARTS

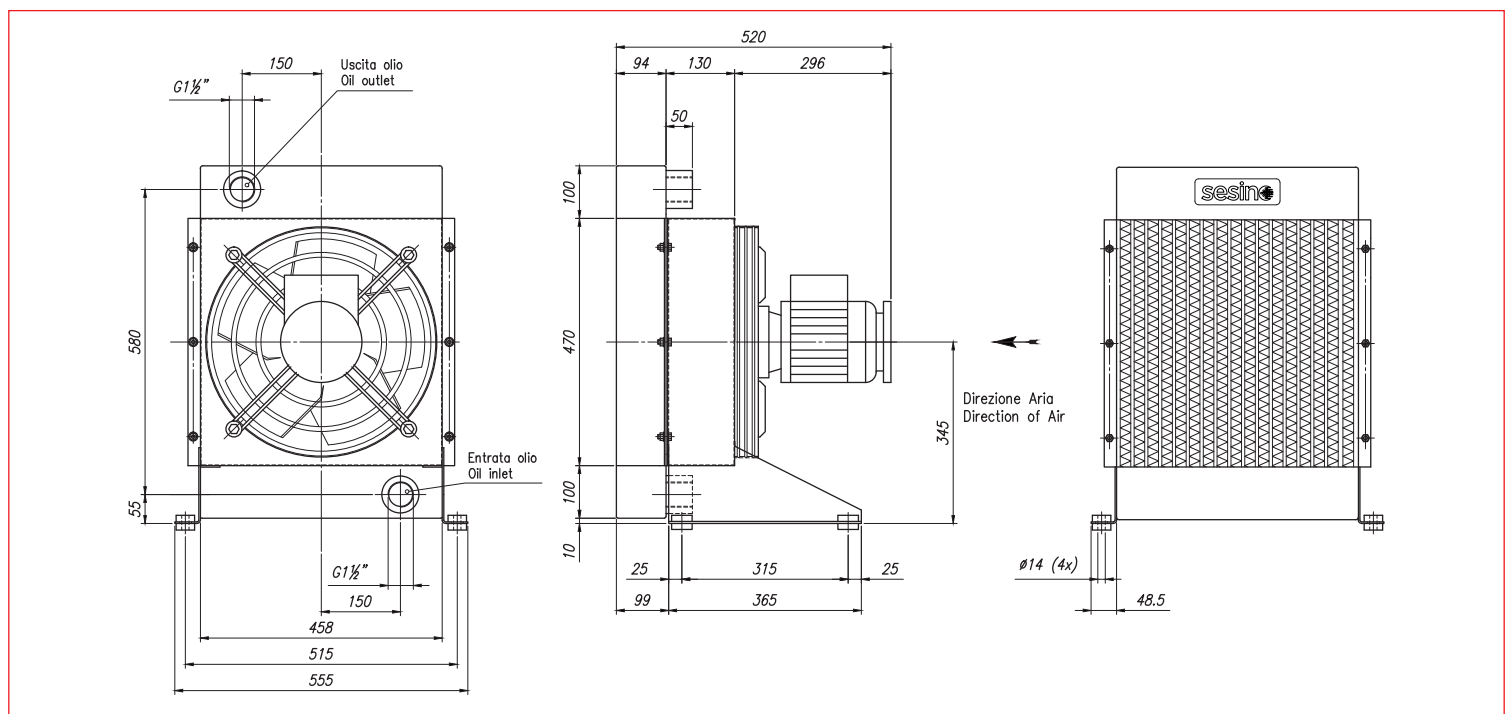
Cooling element	3RNL580A
Frame	3CNAP580EMX.1
Electric fan 400V 50Hz	1VNAP432EMX50
Electric fan 460V 60Hz	1VNAP432EMX60



CORRECTION FACTOR

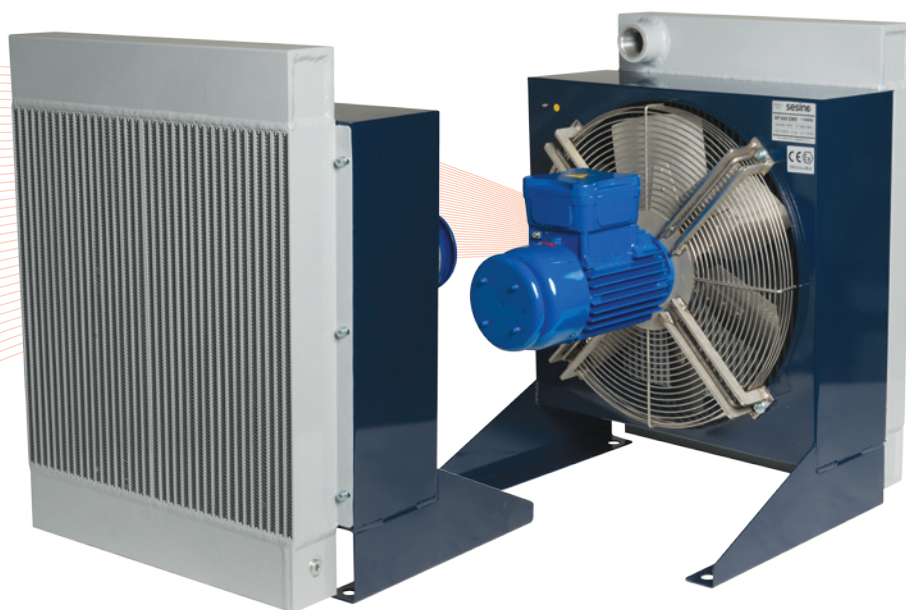
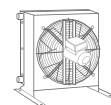
cSt	22	30	46	68	100	150	220
f	0,6	1	1,5	2,3	3,5	5	7

- Dimensions and technical characteristics are not binding



CODE	OIL FLOW	CAPACITY	VOLT.	FREQ.	POWER	CURRENT	AIR FLOW	PROTECTION	NOISE LEV.	WEIGHT	Ø FAN	TEMP.
	l/min	l	V	Hz	W	A	m³/h	IP	dB(A)	kg	mm	°C
3RAP580EMX50	100-250	11,5	400	50	180	0,67	3500	56	79	62	400	-20/+40
3RAP580EMX60	100-250	11,5	460	50	180	0,59	3700	56	81	62	400	-20/+40

AP 680 EMX

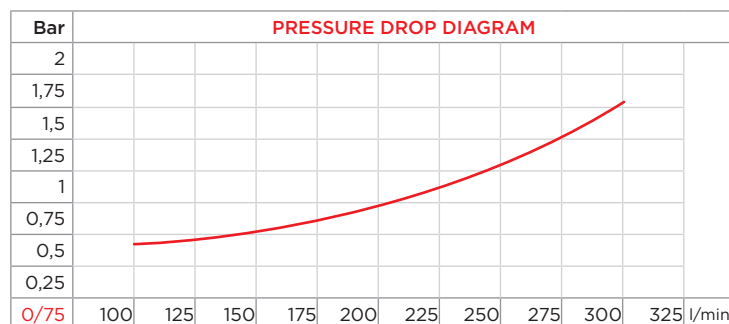
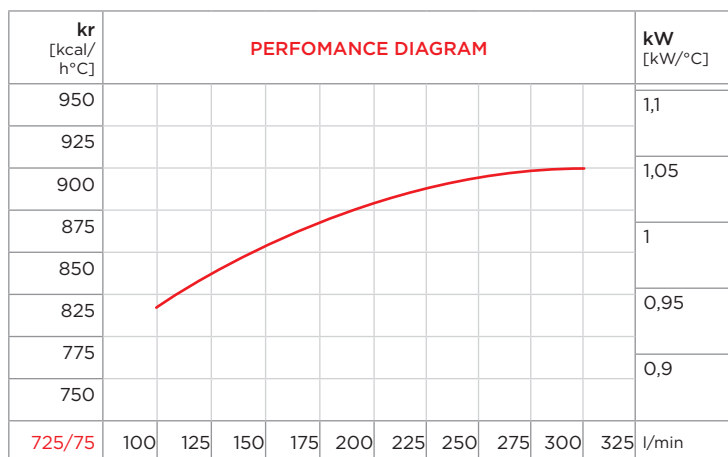


PURCHASE CODES

AP 680 EMX three-phase 400V 50Hz	3RAP680EMX50
AP 680 EMX three-phase 460V 60Hz	3RAP680EMX60

SPARE PARTS

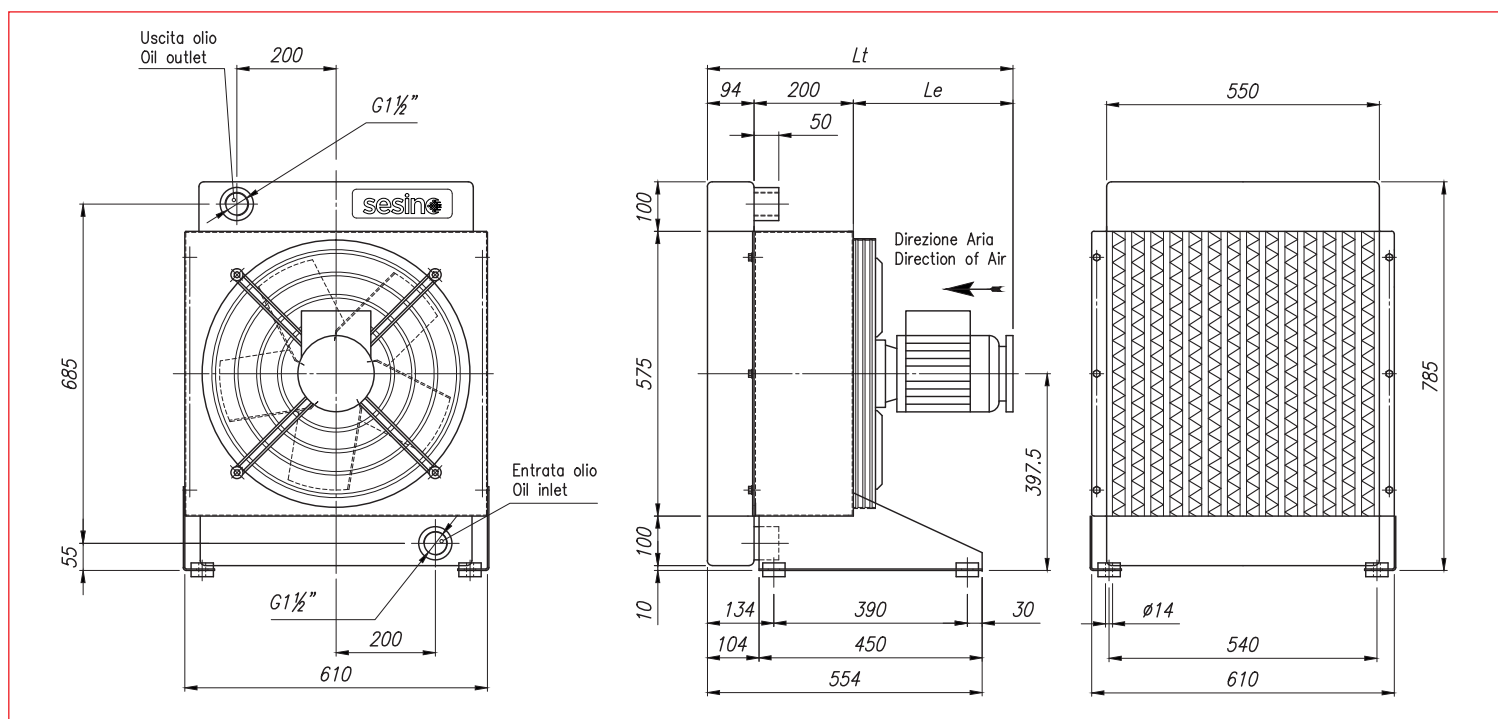
Cooling element	3RNL680A
Frame	3CNAP680EMX.1
Electric fan 400V 50Hz	1VNAP680EMX50
Electric fan 460V 60Hz	1VNAP680EMX60



CORRECTION FACTOR

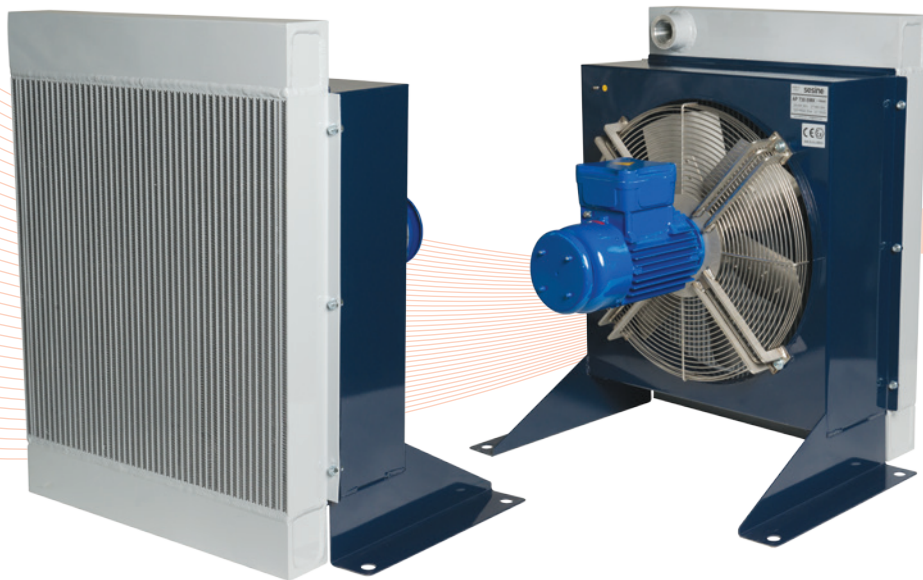
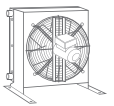
cSt	22	30	46	68	100	150	220
f	0,6	1	1,5	2,3	3,5	5	7

- Dimensions and technical characteristics are not binding



CODE	OIL FLOW l/min	CAPACITY l	VOLT. V	FREQ. Hz	POWER W	CURRENT A	AIR FLOW m³/h	PROTECTION IP	NOISE LEV. dB(A)	WEIGHT kg	ø FAN mm	TEMP. °C	DIMENSION	
													Le	Lt
3RAP680EMX50	100-300	15	400	50	550	1,6	7500	56	86	89	500	-20/+40	322	616
3RAP680EMX60	100-300	15	460	60	750	1,79	7900	56	86	89	500	-20/+40	364	658

AP 730 EMX

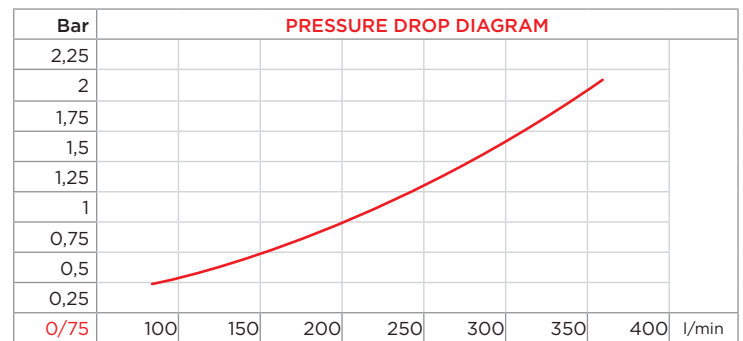
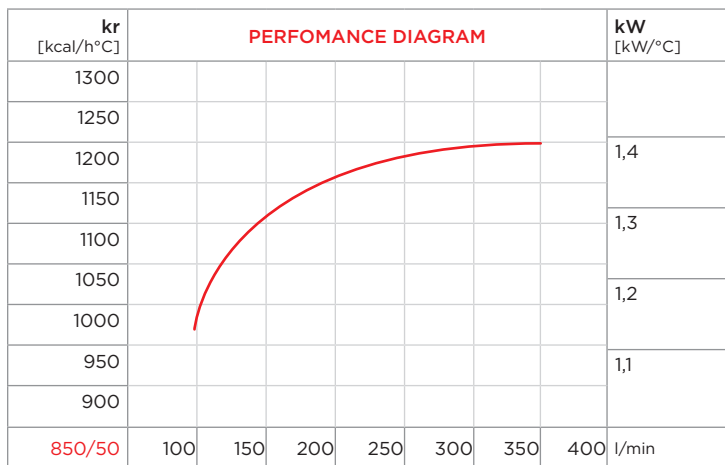


PURCHASE CODES

AP 730 EMX three-phase 400V 50Hz	3RAP730EMX50
AP 730 EMX three-phase 460V 60Hz	3RAP730EMX60

SPARE PARTS

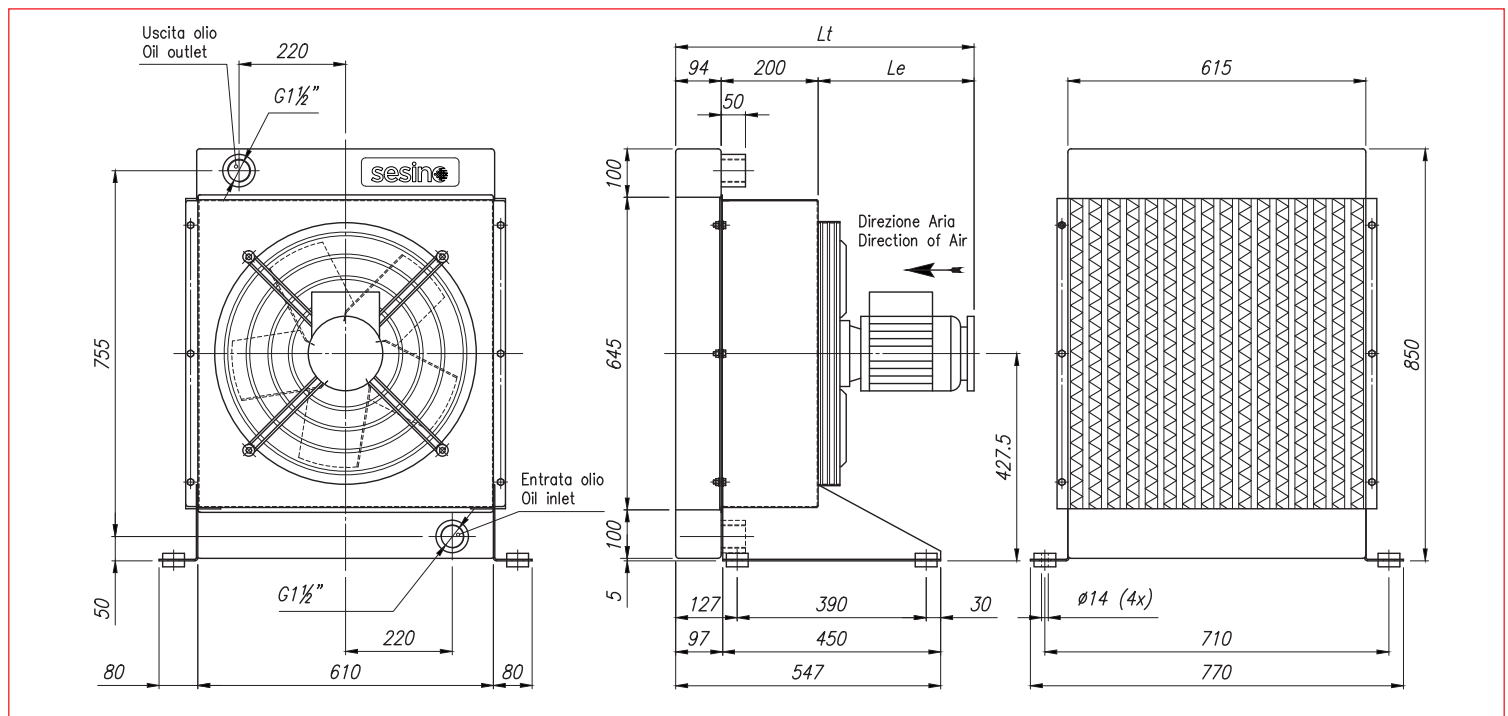
Cooling element	3RNL730A
Frame	3CNAP730EMX.1
Electric fan 400V 50Hz	1VNAP680EMX50
Electric fan 460V 60Hz	1VNAP680EMX60



CORRECTION FACTOR

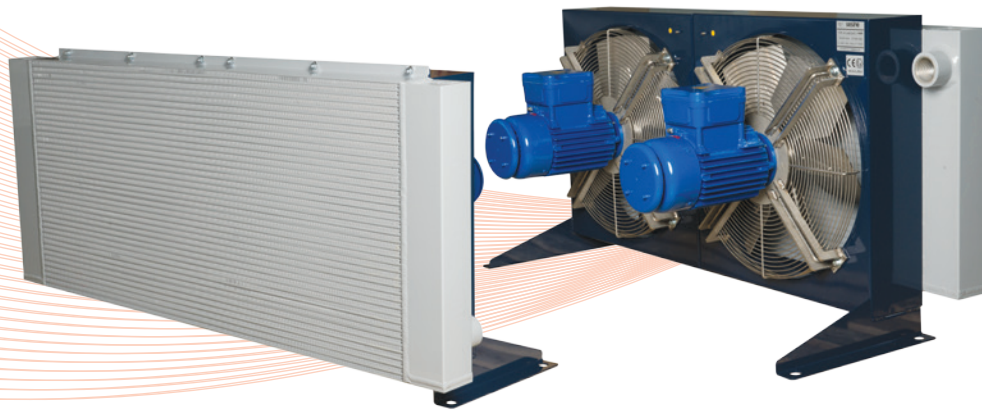
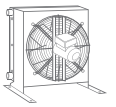
cSt	22	30	46	68	100	150	220
f	0,6	1	1,5	2,3	3,5	5	7

- Dimensions and technical characteristics are not binding



CODE	OIL FLOW l/min	CAPACITY l	VOLT. V	FREQ. Hz	POWER W	CURRENT A	AIR FLOW m ³ /h	PROTECTION IP	NOISE LEV. dB(A)	WEIGHT kg	ø FAN mm	TEMP. °C	DIMENSION	
													Le	Lt
3RAP730EMX50	100-300	16	400	50	550	1,6	7800	56	86	98	500	-20/+40	322	616
3RAP730EMX60	100-300	16	460	60	750	1,79	8200	56	86	98	500	-20/+40	364	658

AP 2/680 EMX

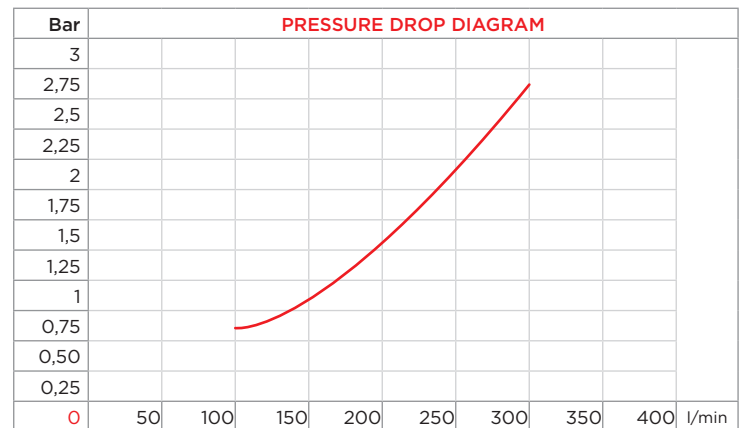
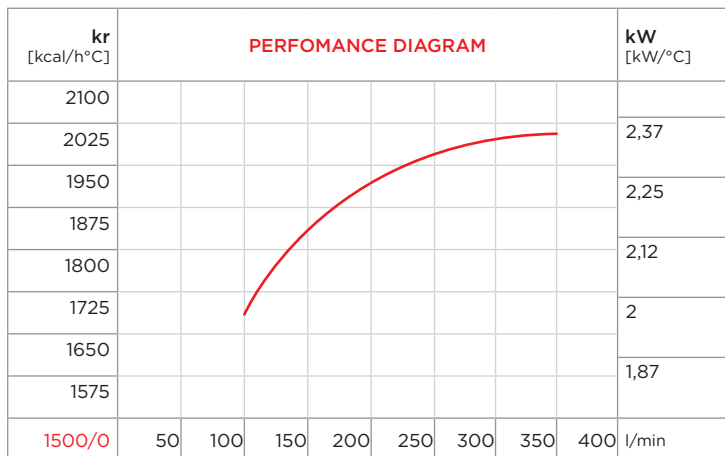


PURCHASE CODES

AP 2/680 EMX three-phase 400V 50HZ	3RAP2/680EMX50
AP 2/680 EMX three-phase 460V 60HZ	3RAP2/680EMX60

SPARE PARTS

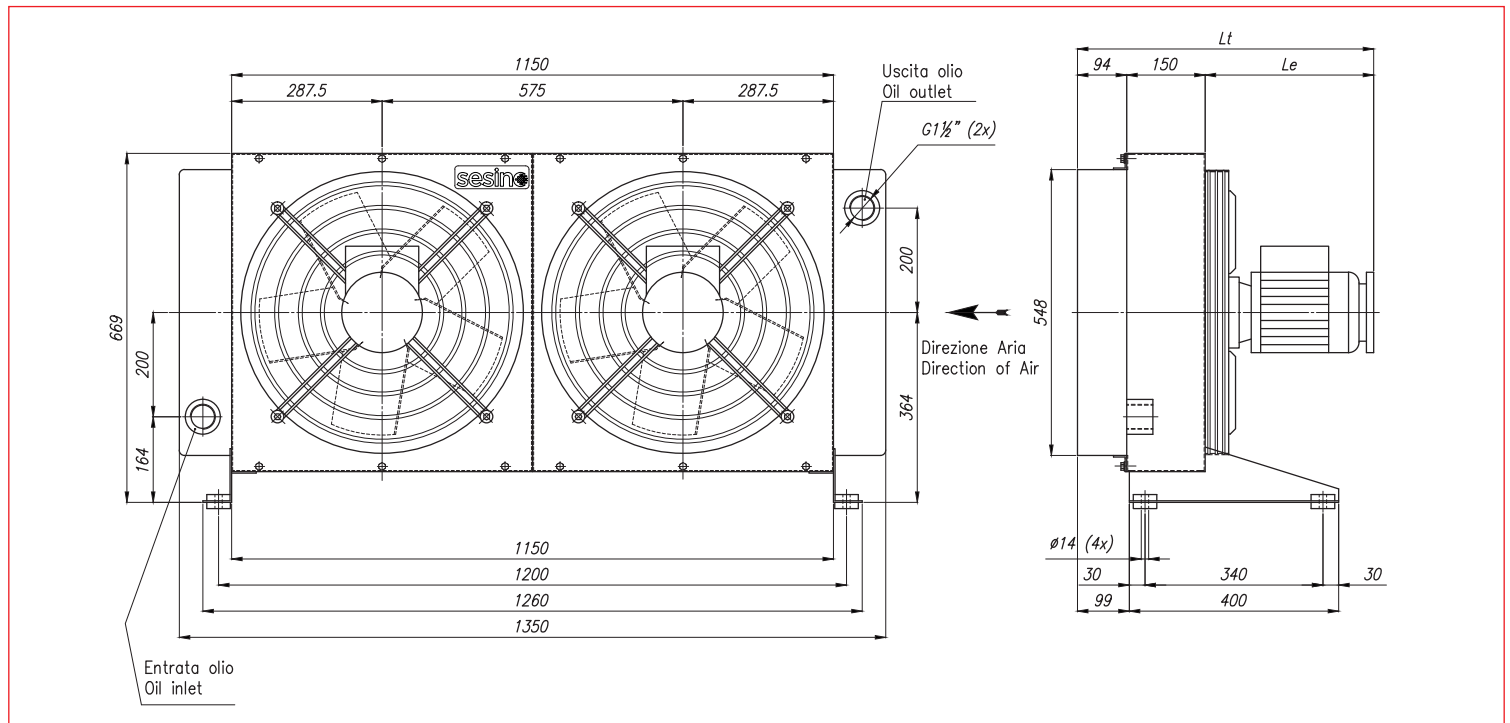
Cooling element	3RNL2/680A
Frame	3CNAP2/680EMX.1
Electric fan 400V 50Hz	1VNAP680EMX50
Electric fan 460V 60Hz	1VNAP680EMX60



CORRECTION FACTOR

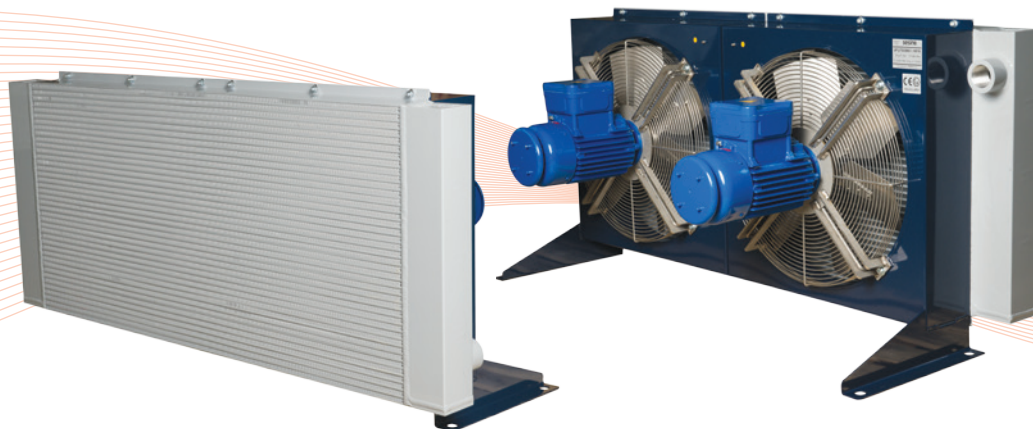
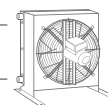
cSt	22	30	46	68	100	150	220
f	0,6	1	1,5	2,3	3,5	5	7

- Dimensions and technical characteristics are not binding



CODE	OIL FLOW	CAPACITY	VOLT.	FREQ.	POWER	CURRENT	AIR FLOW	PROTECTION	NOISE LEV.	WEIGHT	ø FAN	TEMP.	DIMENSION	
	l/min	l	V	Hz	W	A	m³/h	IP	dB(A)	kg	mm	°C	Le	Lt
3RAP2/680EMX50	100-300	28	400	50	2x 550	2x 1,6	2x 7500	56	87	185	500	-20/+40	322	566
3RAP2/680EMX60	100-300	28	460	60	2x 750	2x 1,79	2x 7900	56	87	185	500	-20/+40	364	608

AP 2/730 EMX

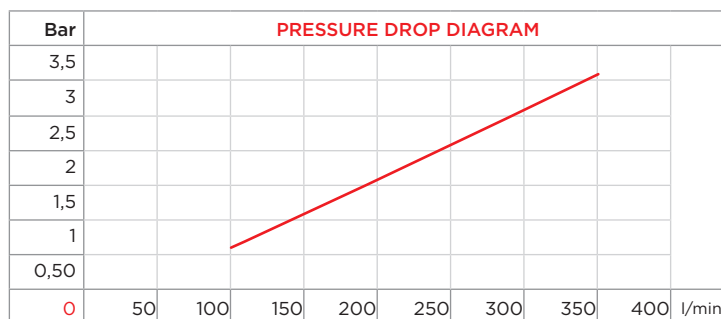
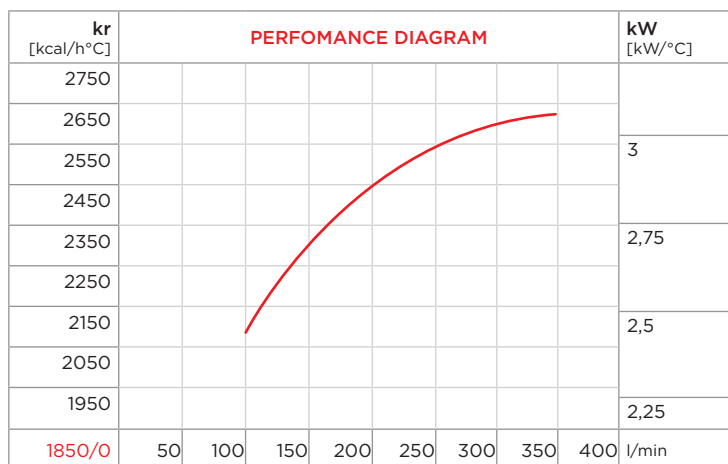


PURCHASE CODES

AP 2/730 EMX three-phase 400V 50Hz	3RAP2/730EMX50
AP 2/730 EMX three-phase 460V 60Hz	3RAP2/730EMX60

SPARE PARTS

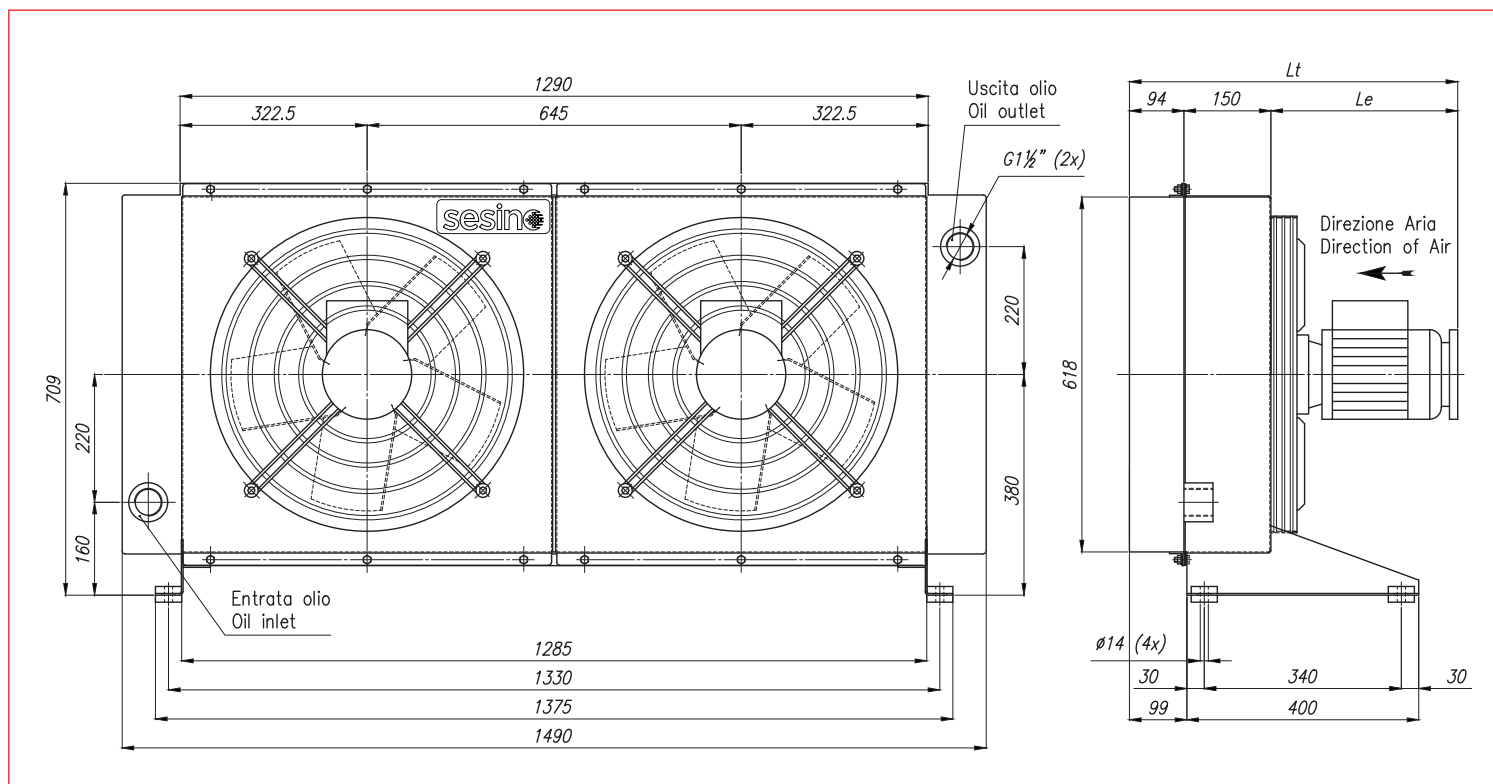
Cooling element	3RNL2/730A
Frame	3CNAP2/730EMX.1
Electric fan 400V 50Hz	1VNAP680EMX50
Electric fan 460V 60Hz	1VNAP680EMX60



CORRECTION FACTOR

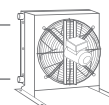
cSt	22	30	46	68	100	150	220
f	0,6	1	1,5	2,3	3,5	5	7

- Dimensions and technical characteristics are not binding



CODE	OIL FLOW l/min	CAPACITY l	VOLT. V	FREQ. Hz	POWER W	CURRENT A	AIR FLOW m³/h	PROTECTION IP	NOISE LEV. dB(A)	WEIGHT kg	ø FAN mm	TEMP. °C	DIMENSION Le Lt	
3RAP2/730EMX50	100-350	30	400	50	2x 550	2x 1,6	2x 7800	56	87	193	500	-20/+40	322	566
3RAP2/730EMX60	100-350	30	460	60	2x 750	2x 1,79	2x 8200	56	88	193	500	-20/+40	364	608

AP 2/830 EMX

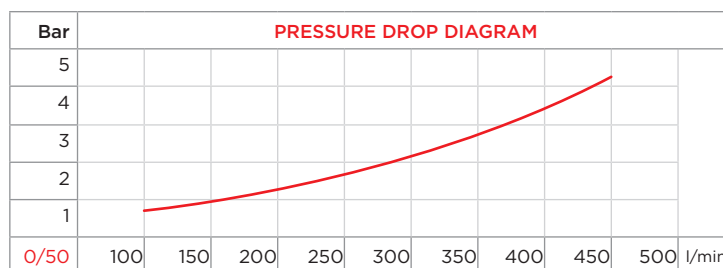
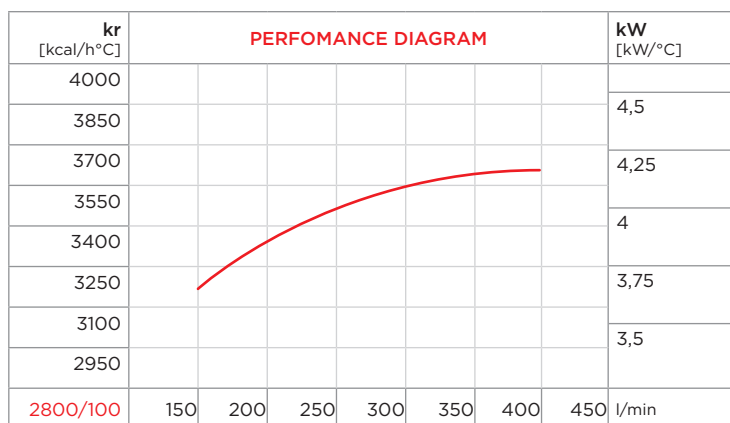


PURCHASE CODES

AP 2/830 EMX three-phase 400V 50Hz	3RAP2/830EMX50
AP 2/830 EMX three-phase 460V 60Hz	3RAP2/830EMX60

SPARE PARTS

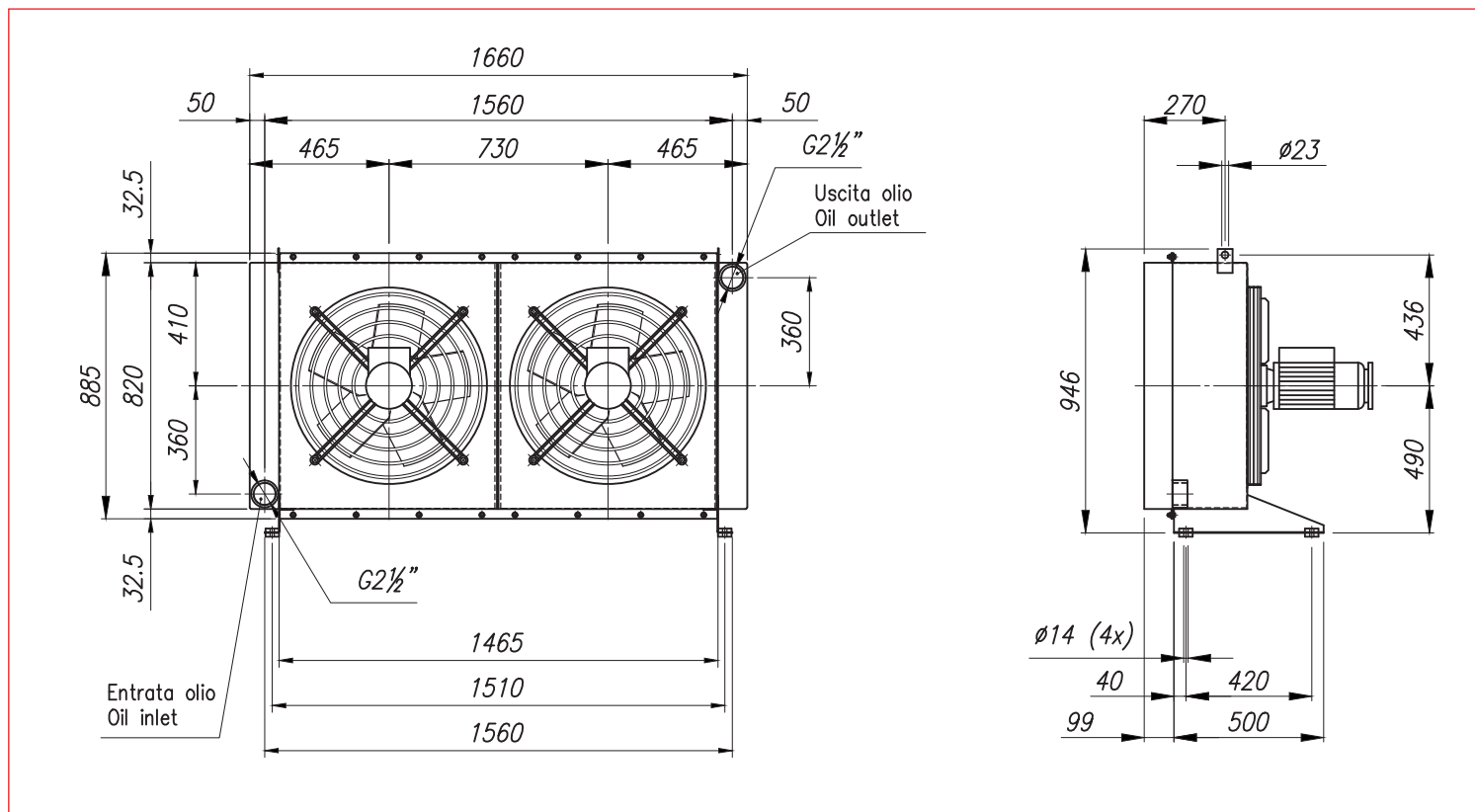
Cooling element	3RNL2/830A
Frame	3CNAP2/830EMX.1
Electric fan 400V 50Hz	1VNAP830EMX50
Electric fan 460V 60Hz	1VNAP830EMX60



CORRECTION FACTOR

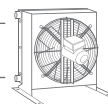
cSt	22	30	46	68	100	150	220
f	0,6	1	1,5	2,3	3,5	5	7

- Dimensions and technical characteristics are not binding



CODE	OIL FLOW	CAPACITY	VOLT.	FREQ.	POWER	CURRENT	AIR FLOW	PROTECTION	NOISE LEV.	WEIGHT	Ø FAN	TEMP.
	l/min	l	V	Hz	W	A	m³/h	IP	dB(A)	kg	mm	°C
3RAP2/830EMX50	150-400	40	400	50	2x 550	2x 1,6	2x 7800	56	89	193	500	-20/+40
3RAP2/830EMX60	150-400	40	460	60	2x 750	2x 1,79	2x 8200	56	89	193	500	-20/+40

AP 3/830 EMX

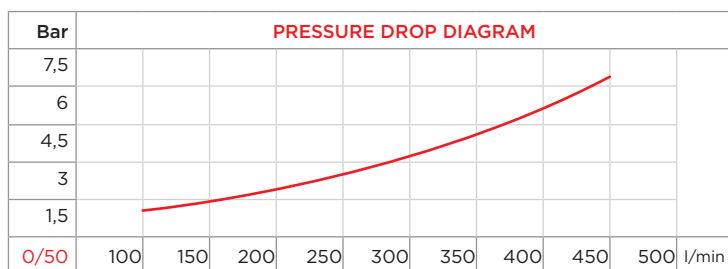
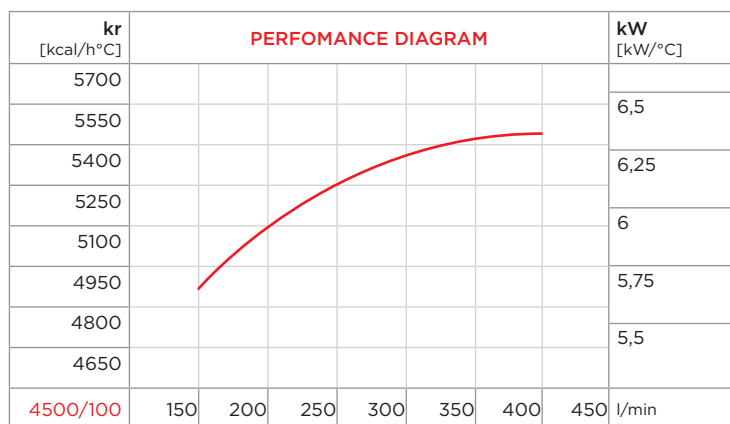


PURCHASE CODES

AP 3/830 EMX three-phase 400V 50HZ	3RAP3/830EMX50
AP 3/830 EMX three-phase 460V 60HZ	3RAP3/830EMX60

SPARE PARTS

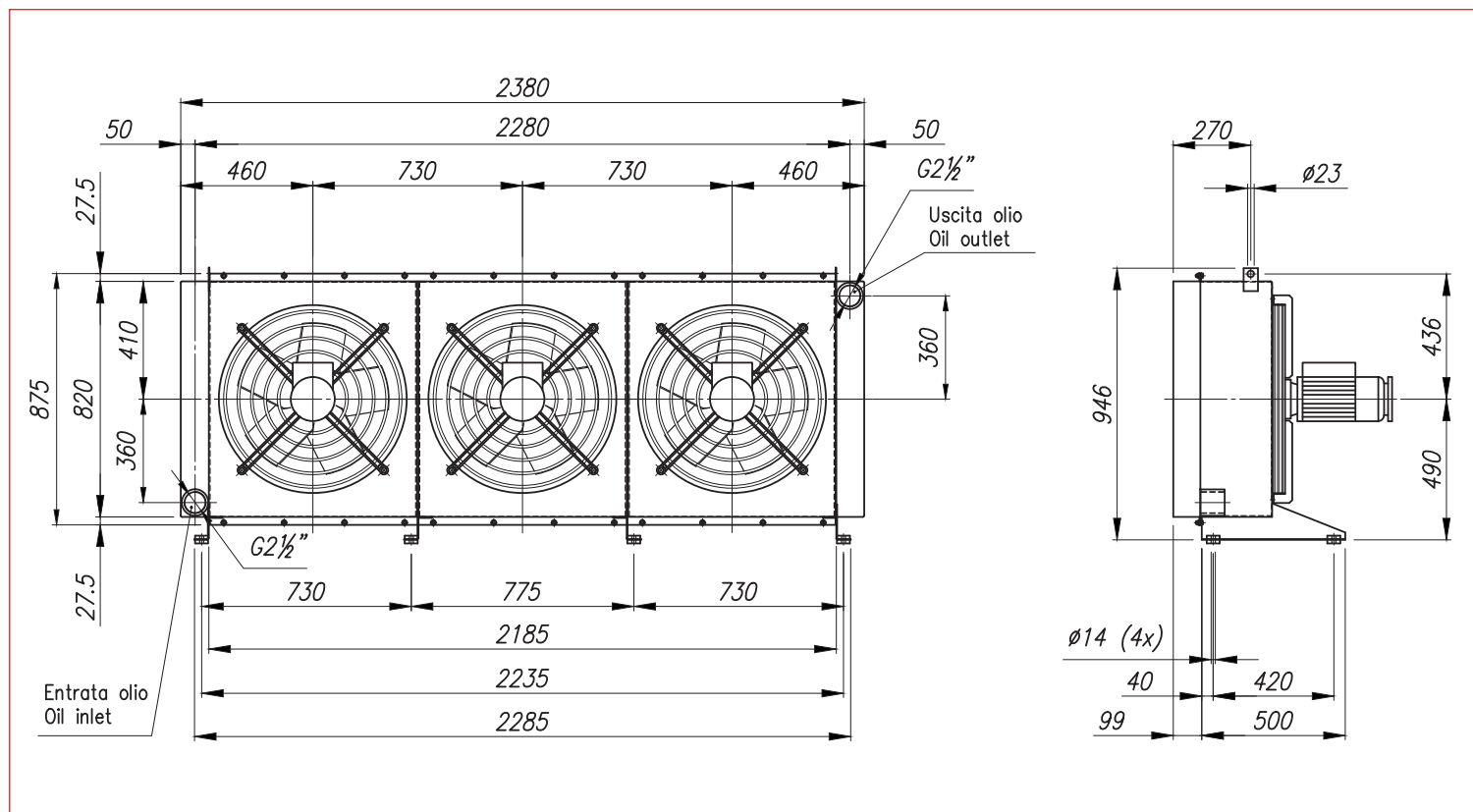
Cooling element	3RNL3/830A
Frame	3CNAP3/830EMX.1
Electric fan 400V 50Hz	1VNAP830EMX50
Electric fan 460V 60Hz	1VNAP830EMX60



CORRECTION FACTOR

cSt	22	30	46	68	100	150	220
f	0,6	1	1,5	2,3	3,5	5	7

- Dimensions and technical characteristics are not binding



CODE	OIL FLOW	CAPACITY	VOLT.	FREQ.	POWER	CURRENT	AIR FLOW	PROTECTION	NOISE LEV.	WEIGHT	ø FAN	TEMP.
	l/min	l	V	Hz	W	A	m³/h	IP	dB(A)	kg	mm	°C
3RAP3/830EMX50	150-400	60	400	50	3x 1100	3x 2,58	2x 10000	56	90	360	560	-20/+40
3RAP3/830EMX60	150-400	60	460	60	3x 1100	3x 2,24	2x 10600	56	91	360	560	-20/+40